



**FORD TRACTOR ACCESSORIES  
AND SPECIAL ITEMS  
PARTS CATALOG**

**1939/1964**

**FORD TRACTOR DIVISION**

**FORD MOTOR COMPANY**

# ACCESSORIES AND SPECIAL ITEMS

---

## THIS CATALOG REPLACES :

PA-8205	Accessories & Special Items	dated April, 1960
PA-8205-1	Insert - Fisher Kits	Sept., 1960
PA-8205-2	Insert	June, 1961
PA-8205-4	Insert	February, 1962
PA-8205-5	Insert - Cylinder & Valve	June, 1962
PA-8205-A	Accessories & Special Items	December, 1963
PA-8205-J1	Insert	August, 1964

For Hydraulic Equipment (Valves, Hose Kits & Cylinders) refer to PA-8222

# ACCESSORIES AND SPECIAL ITEMS

## INDEX

DESCRIPTION	PAGE NO.
<b>1 WHEELS</b>	
Tractor Weights . . . . .	A-1-2 thro A-1-5
Dual Rear Wheels . . . . .	A-1-6, 7, 8
Power Adj. Rear Wheel Installation . . . . .	A-1-9
Snozer (For Corn Picker W/P.S.) . . . . .	A-1-10
Tire Pump and Gauge Assembly . . . . .	A-1-10
<b>2 BRAKES</b>	
Parking Brake Kit . . . . .	A-2-1
Select-O-Speed Parking Brake Kit . . . . .	A-2-2
<b>3 STEERING</b>	
4-Wheel Power Steering Kit (Ford) . . . . .	A-3-1
Fordson Major Power Steering Kit . . . . .	A-3-2
<b>5 HYDRAULIC CONTROLS &amp; LIFT</b>	
Hydraulic Oil Filter Adapting Kit . . . . .	A-5-1
Swinging Drawbars . . . . .	A-5-2
Category I Attaching Kit (5000) . . . . .	A-5-3
Fixed Drawbars . . . . .	A-5-3
Stabilizer Link Kit (4-Wheel) . . . . .	A-5-4
Stabilizer Link Kit (Rowcrop) . . . . .	A-5-5
Stabilizer Parts (Industrial) . . . . .	A-5-5
Position Control Attachment (FMC) . . . . .	A-5-6
Transport Lock Assembly . . . . .	A-5-7
Accumulator Gas Bottle Kit (5000) . . . . .	A-5-8
<b>6 ENGINE</b>	
Raincaps . . . . .	A-6-1
Vertical Exhaust Kits . . . . .	A-6-2
Horizontal Exhaust Kit (Ford Diesel) . . . . .	A-6-3
Muffler Outlet Extension Pipe (8000) . . . . .	A-6-4
<b>7 TRANSMISSION, CLUTCH &amp; P. T. O.</b>	
Combination Transmissions . . . . .	A-7-1
Reversing Transmissions . . . . .	A-7-2
Pressure Lubricated Clutch Release Bearing . . . . .	A-7-3
P. T. O. Bell Pullers . . . . .	A-7-4
Ford. 1936/- & Dests 11-81/3-88 . . . . .	A-7-6
Dests 9-85/- After Serial 883983 . . . . .	A-7-7
Fordson Major . . . . .	A-7-8

# ACCESSORIES AND SPECIAL ITEMS

## INDEX

DESCRIPTION	PAGE NO.
<b>7 TRANSMISSION, CLUTCH &amp; P. T. O. (Cont'd.)</b>	
Raised P. T. O. for Fordson Major . . . . .	A-7-9
Guard (P. T. O.) . . . . .	A-7-10
Adapter (P. T. O.) . . . . .	A-7-10
Live P. T. O. Clutch Assembly . . . . .	A-7-10
P. T. O. Conversion Kit . . . . .	A-7-11
<b>9 FUEL SYSTEM</b>	
Lockable Fuel Tank Filler Cap . . . . .	A-9-1
Fuel Shut-Off Plunger Assembly (Gasoline Only) . . . . .	A-9-1
6000 Diesel Fuel Primer Assy. Kit . . . . .	A-9-2
Diesel Pre-Cleaner . . . . .	A-9-3
Electric Fuel Shut-Off (Diesel) . . . . .	A-9-4
<b>11 ELECTRICAL SYSTEM</b>	
Spark Plugs . . . . .	A-11-1, 3
Batteries . . . . .	A-11-3
Headlamp Relocating Bracket Kit . . . . .	A-11-4
Implement Lamp Kits . . . . .	A-11-5
Ford 6-Cylinder . . . . .	A-11-5, 6
Ford 4-Cylinder . . . . .	A-11-7
Fordson Major . . . . .	A-11-8
Warning Lamp . . . . .	A-11-9
Flasher Kit . . . . .	A-11-10
Proofmaster Drive Kit (Ford) . . . . .	A-11-11
<b>13 SEATS</b>	
Rest-O-Ride Seat . . . . .	A-13-1
Deluxe Seat . . . . .	A-13-1
Comfort Seat . . . . .	A-13-1
Prior Rest-O-Ride Seat . . . . .	A-13-2
Tractor Seat (2N, 3N, 800) . . . . .	A-13-3
<b>14 BODY</b>	
Front Bumper . . . . .	A-14-1
Half Cabs, Folding Tops & Rear Curtains (Ford & FMD) . . . . .	A-14-2
Half Cabs . . . . .	A-14-3, 4
Folding Top . . . . .	A-14-5
Rear Curtains . . . . .	A-14-5
<b>APPEARANCE &amp; MAINTENANCE MATERIALS</b>	
Hydraulic Oil . . . . .	A-17-1
Lubrication Equipment . . . . .	A-17-2, 3, 4
Paints . . . . .	A-17-5
Perfect Seal Compound . . . . .	A-17-6
Silicone Grease . . . . .	A-17-6
Loctite Sealant . . . . .	A-17-6
Gasket & Thread Sealer . . . . .	A-17-6
<b>NUMERICAL INDEX</b> . . . . .	A-20-1, 2, 3

## REAR WHEEL WEIGHTS

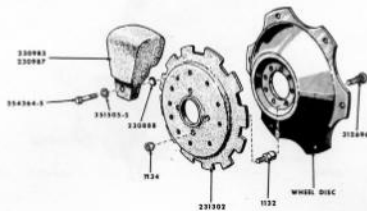


FIG.	PART NO.	PART NAME	NO. REQ.	REMARKS	YEAR
SEGMENT TYPE - ALL PURPOSE - ROWCROP - LCG - INDUSTRIAL - HD INDUSTRIAL - DEXTA					
	FPN-1020-A *	Kit - Rear Wheel Weight - Regular	1		55/
	FPN-1020-B *	Kit - Rear Wheel Weight - Heavy Duty	1	800,1801,4000 Series Only	55/
	231302 *	Disc - Rear Wheel Weight (Approx. 34# each)	24		
	230887 *	Segment - Regular (Approx. 30# each)	2		
	230983 *	Segment - H. D. (Approx. 45# each)	24	800,1801,4000 Series Only	
		351505-S8 Washer - 5/8 Flat	24		
		354364-S8 Bolt - 5/8-11 x 3 (Weight Segments to Disc)	24		
	230888	Washer - Rear Wheel Weight Bolt (Rubber)	24		
	8N-1132-A	Nut - Rear Wheel Flange (Weight Segments & Disc to Rear Wheels)	8		
	C3NN-1132-A	Nut - Rear Wheel Inner Cap (R. H. Thread)	8	H. D. Indus. W/C3NN-1036-L	
	* Not sold by T. & I. Operations (U. S.) - Order from Sales District				

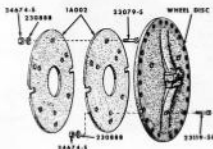


FIG.	PART NO.	PART NAME	REMARKS				YEAR
			300	600	900	1200	
			Lbs.	Lbs.	Lbs.	Lbs.	
DISC TYPE - 6000							
	CONN-1A002-A *	Weight - Rear Wheel (Approx. 150 lbs.)	2	4	6	8	61/
		34674-S36Nut - 3/4-10 Hex	6	12	18	6	
		23119-S8 Bolt - 3/4-10 x 4 (Weights to Rear Wheel) Sq. Hd.	6	6	6	-	
		23079-S8 Bolt - 3/4-10 x 2 3/4 (Weight to Wt.) Sq. Hd.	-	6	12	-	
		23183-S8 Bolt - 3/4-10 x 8 (Weights to Rear Wheels) Sq. Hd.	-	-	-	6	
	230888	Washer - Rear Wheel Weight Bolt (Rubber)	6	12	18	6	

\* Not sold by T. & I. Operations (U. S.) - Order from Sales District

## ACCESSORIES AND SPECIAL ITEMS

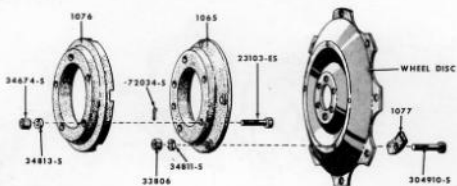


FIG.	PART NO.	PART NAME	REMARKS			YEAR
			200 Lbs.	400 Lbs.	600 Lbs.	
<b>FORDSON MAJOR</b>						
	DDN-1065 *	Weight Rear Wheel	2	2	.2	52/-
	E27N-1077	Reinforcement Rear Wheel Disc	10	10	10	
		304910-88 Bolt - 5/8-18 x 2 3/4 Hex Hd.				
		33806-S36 Nut - 5/8-18 Hex				
		34811-S36 Lockwasher - 5/8 (Wt. to Wheel)	10	10	10	
	DDN-1076 *	Weight - Rear Wheel - Outer (Aux.)	-	2	4	
		23103-ES Bolt - 3/4-10 x 3 1/2 Hex Hd, Spec. Drid.	-	6	12	
		34674-S36 Nut - 3/4-10 Hex	-	6	12	
		34813-S36 Washer - 3/4 Lock	-	6	12	
		72034-88 Pin - 3/32 x 1 Cotter (Outer or Aux. Wt. to Rear Wheel Weight)	-	6	12	
* Not sold by T. & I. Operations (U.S.) - Order from Sales District						

## FRONT WHEEL WEIGHTS

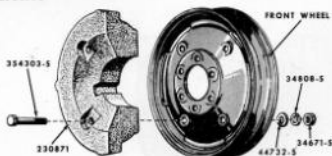


FIG.	PART NO.	PART NAME	NO. REQ.	REMARKS	YEAR
- ALL TRACTORS -					
	FPN-1015-A *	Kit - Front Wheel Weight	1		52/-
		Order Components as follows -			
	230871 *	Segment - Front Wheel Weight (Approx. 50# each)	4	Except Rowcrop	55/-
		W/Wide Front Adj. Axle	4	Rowcrop	57/-
		34808-S7 Washer - 7/16 Lock			
		44732-S8 Washer - 7/16 Flat			
		34671-S36 Nut - 7/16-20 Hex			
		354303-S8 Bolt - 7/16-20 x 4 (Weight Segments to Frt. Wheels) Hex Hd.	8	Except Rowcrop	53/-
		W/Wide Front Axle	8	Rowcrop	57/-

## ACCESSORIES AND SPECIAL ITEMS

## FRONT END WEIGHTS

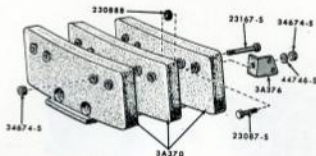


FIG.	PART NO.	PART NAME	REMARKS				YEAR
			130 Lbs.	250 Lbs.	390 Lbs.	520 Lbs.	
6000 TRACTOR							
	CONN-3A370-A *	Weight - Front End (Approx. 130 lbs.)	1	2	3	4	
	CONN-3A369-A -	Bracket - Front End Weight - R. H.	1	1	1	1	
	CONN-3A376-A	Bracket - Front End Weight - L. H.	1	1	1	1	
		34811-S36 Washer - 5/8 Lock					
		375742-88 Bolt - 5/8-11 x 2 (Brackets to Front Hood) Hex Hd	4	4	4	4	
		304922-88 Bolt - 5/8-11 x 3 (Attach Front End Weight to Front Pedestal Assy.) Hex Hd.	2	2	2	2	
		34674-S36 Nut - 3/4-10 Hex					
		44746-88 Washer - 3/4 Flat					
		23087-88 Bolt - 3/4-10 x 3 (Front End Weight to Bracket) Sq. Hd.	2	2	2	2	
		34674-S36 Nut - 3/4-10 Hex					
		23167-88 Bolt - 3/4-10 x 7 (Attach Front End Weight #2 & 3 to Front End Weight #1) Sq. Hd.	-	-	2	2	
		34674-S36 Nut - 3/4-10 Hex					
		23127-88 Bolt - 3/4-10 x 4.50 (Attach Front End Weight #4 to #3) Sq. Hd.	-	2	-	2	
	230888	Washer - Front End Weight Bolt (Rubber)	-	2	2	4	

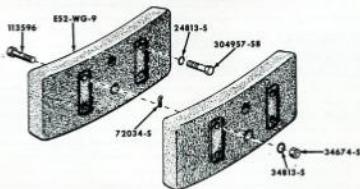


FIG.	PART NO.	PART NAME	QD. REQ.	REMARKS	YEAR
FORDSON MAJOR					
	E-53-WG-9 *	Kit - Front End Weight	AR	1578886/-	
		Consists of -			
	E-52-WG-9 *	Weight - Front End	AR	1578886/-	
		34813-S36 Washer - 3/4 Lock	6)	Weight to Front	
		304957-88 Bolt - 3/4-10 x 3 3/4 Hex Hd.	2)	Crossmember	
		113596-ES Bolt - 3/4-10 x 4 1/4 Sq. Hd.	4)		
		34674-S36 Nut - 3/4-10 Hex	6)	Front Weight Bolt	
		72034-88 Pin - 3/32 x 1 Cotter	1)		

\* Not Sold by T. &amp; I. Operations (U. S.) Order from Sales District

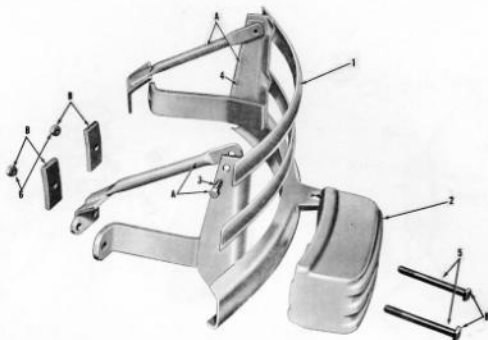
October, 1969





# ACCESSORIES AND SPECIAL ITEMS

## FRONT BUMPER WEIGHTS

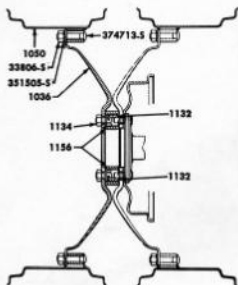


FRONT BUMPER, WEIGHTS & MOUNTING KITS

FIG.	PART NUMBER	PART NAME	NO. REQ'D	MODEL OR SERIES	YEAR
1	C5NN-17750-B	Bumper, Front	AR	All Pur., LCG, Industrial, Dexta	39/
		354369-S8 Bolt, 5/8 - 18 x 4 Hex			
		351505-S8 Washer, 5/8 Flat )Bumper			
		33806-S36 Nut, 5/8 - 18 Hex )to Axle	2		
		305225 Decal, Ford Identification	1		
2	312585	Weight, 100# Front Bumper (Not Serviced - Procure Locally)(maximum quantity - four per Bumper)	AR		
A	312846	Kit, Front Bumper Weight Brace Consists of Braces which are not serviced plus items listed below:	1		
		354460-S8 Bolt, 5/8 - 18 x 4, 12 Hex			
		351500-S7 Lockwasher, 5/8 )Brace			
		33806-S34 Nut, 5/8 - 18 Hex )to Axle			
		351195-S8 Bolt, 1/2 - 20 x 1.38 Hex			
		34809-S8 Lockwasher, 1/2 )Brace			
		33846-S36 Nut, 1/2 - 20 Hex )to Bumper	2		
4	312598	Reinforcement, Front Bumper Support - (Not serviced separately - To be welded to front bumper)	2		
E	309571	Kit, Front Bumper Weight Clamp - (One kit for each Front Bumper Weight)	AR		
		Consists of Clamps which are not serviced Plus items listed below:			
		33150-S8 Bolt, 5/8 - 11 x 0.00 Sq. Hd. )W/ to 2			
		353035-S8 Nut, 5/8 - 11 Hex )Clamp 2			

## ACCESSORIES AND SPECIAL ITEMS

## DUAL REAR WHEEL PARTS



DUAL REAR WHEEL PARTS 4-CYLINDER FORD TRACTORS

FIG.	PART NO.	PART NAME	NO. REQ.	REMARKS	YEAR
8N - NAA - ALL PURPOSE - ROWCROP - INDUSTRIAL					
	NCA-1020-B	Rim Assy. - Rear Wheel	2		48/
	957E-1017-B	Disc - Rear Wheel	2		48/
		351505-S8 Washer - 5/8 Flat			
		33806-S36 Nut - 5/8-18 Hex			
		370938-S36 Bolt - 5/8-18 x 2.82 (Rim to Disc) Carr.	12		48/
	8N-1156-A2	Spacer - Rear Wheel	2		48/
	8N-1132-A2	Nut - Rear Wheel Flange	16		48/
- LCG -					
	CONN-1050-N	Rim Assy. - Rear Wheel	2		61/
	CONN-1038-F	Disc - Rear Wheel	2		61/
	8N-1132-A	Nut - Rear Wheel Flange	16		61/
	8N-1156-A2	Spacer - Rear Wheel	2		61/
		33806-S36 Nut - 5/8-18 Hex			
		374713-S36 Bolt - 5/8-18 x 3.40 (Rim to Disc) Carr.	12		61/

## DUAL REAR WHEELS

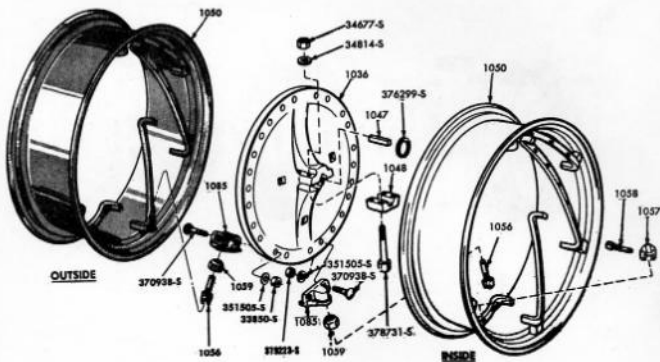


FIG.	PART NO.	PART NAME	NO. REQ.	REMARKS	YEAR
DUAL REAR WHEELS FOR 6000 TRACTORS					
	CONN-1050-A	Rim Assy. - Rear Wheel (12, 38)	AR		61/
	CONN-1050-D2	Rim Assy. - Rear Wheel (14, 38)	AR		61/
	CONN-1056-A	Screw - Rear Wheel Rim Adj. (5/8-14)	12		61/
	CONN-1059-A	Nut - Adj. Screw (7/8-14)	12		61/
	C3NN-1085-A	Retainer - Adj. Screw	12		61/
		379223-543 Nut - 5/8-18 Hex			
		351505-58 Washer - 5/8 Flat			
		370938-536 Bolt - 5/8-18 x 3 Carr.	24		61/

## ACCESSORIES AND SPECIAL ITEMS

## DUAL REAR WHEELS - FORDSON MAJOR

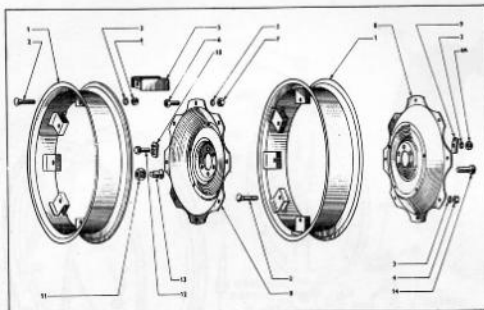
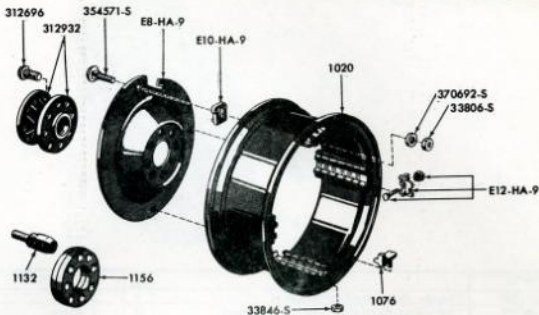


FIG.	PART NO.	PART NAME	NO. REQ.	REMARKS	YEAR
FORDSON MAJOR DUAL REAR WHEELS					
1	DKN-1037-B	Rim Assy. - Rear Wheel	2		54/
2		370938-S36 Bolt - 5/8-11 x 2-3/4 (Disc to Rim) Carr.	16		54/
3		34811-S36 Washer - 5/8 Lock	42		
4		33849-S36 Nut - 5/8-11 Hex			
4A		379223-543 Nut - 5/8-18 Hex			
5	E27N-1033	Bracket - Rear Wheel Spacer	16		54/
6		304768-S36 Bolt - 5/8-11 x 1 1/2 (Bracket to Disc)	16		
7		33849-S36 Nut - 5/8-11 Hex			
8	E27N-1017-C	Disc - Rear Wheel (11 x 38) (12 x 38)	2		54/
9	E1-HA-9	Reinforcement - Rear Wheel Disc	10		54/
10	E27N-1077	Reinforcement - Rear Wheel Disc	10		54/
11	BB-1134	Nut - Outer (Shaft to Wheel)	12		54/
12		304923-S8 Bolt - 5/8-16 x 3 (Reinforcement to Rear Wheel Disc) Hex	10		54/
13	BB-1132	Nut - Inner (Shaft to Wheel)	12		54/
14	E27N-1118-A	Bolt - Rear Axle Shaft to Wheel	12		54/

## POWER ADJUSTED REAR WHEELS



52" TO 76"  
ON  
ALL PURPOSE  
TRACTORS

---

58" TO 84"  
ON  
ROWCROP  
TRACTORS

FIG.	PART NO.	PART NAME	NO. REQ.	REMARKS	YEAR
POWER ADJUSTED REAR WHEELS FOR ALL 4 CYLINDER FORD TRACTORS (1955/-)					
	NDB-1020-B	Rim Assy.	2		55/
	E12-HA-9	Clamp Assy. - Rim Adj.	2		55/
	NDB-1076-B	Stop - Rim Adj. Outer	2		55/
	33846-S	Nut - 1/2-20 (Stop to Guide) Hex	2		55/
	E10-HA-9	Clamp - Wheel Rim	6		55/
	EB-HA-9 *	Disc	2		55/
		370692-534 Washer - 5/8 Flat	8		55/
		33806-536 Nut - 5/8-18 (Wheel to Flange) Hex	8		55/
	312932	Extension Assy. - Rear Axle	2		55/
		354571-S8 Bolt 5/8-18x 1.75 (Rim & Clip to Disc) Carr.	8		55/
	8N-1132-A *	Nut, Rear Wheel Spacer	16	Rowcrop	55/
	8N-1134	Nut - Rear Wheel	16		55/
	8N-1156-A2	SPACER - Rear Wheel	2	Rowcrop	55/

\*8N-1132-A Nut & 8N-1156-A2 Spacer needed when used with 700 & 900 Rowcrop Tractors  
October, 1969



## ACCESSORIES AND SPECIAL ITEMS

## PARKING BRAKE KIT

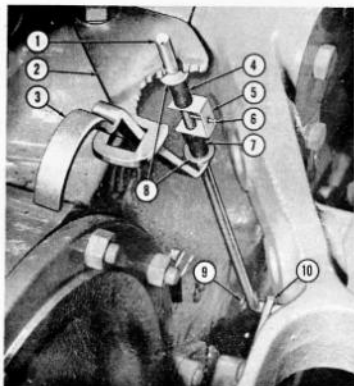


FIG.	PART NUMBER	PART NAME	NO. REQ'D	MODEL OR SERIES	YEAR
------	-------------	-----------	--------------	-----------------	------

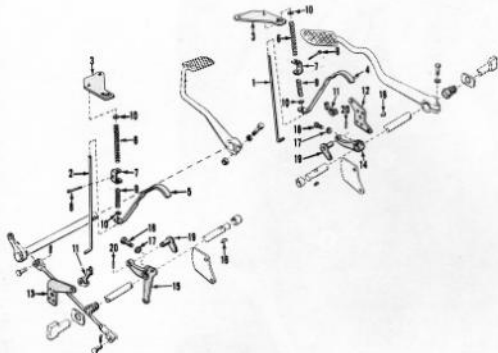
## PARKING BRAKE CONTROLS

	FPN-2782-A	Kit - Parking Brake	1	All Pur., Rowcrop, LCG, HD Industrial/55/	
		Consists of the following:			
1	B9NN-2A645-A	Rod, R. H.	1		
	B9NN-2A646-A	Rod, L. H.	1		
2	312817	Guide	2		
	312820	Handle, R. H.	1		
	312886	Handle, L. H.	1		
4	312822	Spring	2		
5		372118-S2 Clip	2		
6		42300-S8 Screw, Clip	2		
7	312821	Spring	2		
8		44719-S Washer 5/8 Flat	4		

On tractors not previously equipped with parking brakes it will be necessary to purchase the following parts:

9	8M-9825	Clip - Parking Brake Pawl Control Rod	2		
10	NCA-22071-A	Lever - Parking Brake - R. H.	1		
	NCA-22072-A	Lever - Parking Brake - L. H.	1		

# ACCESSORIES AND SPECIAL ITEMS



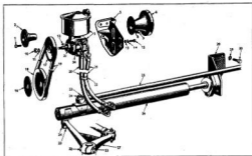
SELECT-O-SPEED PARKING BRAKE CONTROL

FIG.	PART NO.	PART NAME	NO. REQ.	REMARKS	YEAR
	<b>FPN-2782-B</b>	<b>Kit - Select-O-Speed Parking Brake</b> Consists of the following-	<b>1</b>		<b>63/</b>
1	B9NN-2A645-A	Rod - Pawl Control R. H.	1		63/
2	B9NN-2A646-A	Rod - Pawl Control L. H.	1		63/
3	312817	Guide - Control Rod	2		63/
4	312820	Handle - R. H.	1		63/
5	312886	Handle - L. H.	1		63/
6	312822	Spring - Control Rod, Upper	2		63/
7	372118-S2	Clip - Rod Spring Adjusting	2		63/
8	42300-88	Screw - #10-16 x .38 Slotted Hd.	2		63/
9	312821	Spring - Control Rod Lower	2		63/
10	44719-8	Washer - 1/4 Flat	4		63/
11	8M-9825	Clip - Rod End Clevis	2		63/
12	NCA-22071-A	Lever - Pawl Control R. H.	1		63/
13	NCA-22072-A	Lever - Pawl Control L. H.	1		63/
14	NCA-2324-A	Arm - Brake Camshaft (Right Side)	1		63/
15	NCA-2315-A	Lever - Brake Camshaft (Left Side)	1		63/
16	74181-8	Key 1/4 x 7/8 Woodruff	2		63/
17	34808-87	Washer 7/16 Lock	2		63/
18	304799-88	Bolt 7/16 - 20 x 1.75 (Arm & Lever to Camshaft) Hex Hd	2		63/
19	NCA-22785-B	Pawl Assy	2		63/
20	357479-88	Pin, 3/16 x 1.00 Roll	2		63/





## ACCESSORIES AND SPECIAL ITEMS



E18-WB-9

KH - Power Steering  
Consists of the following -

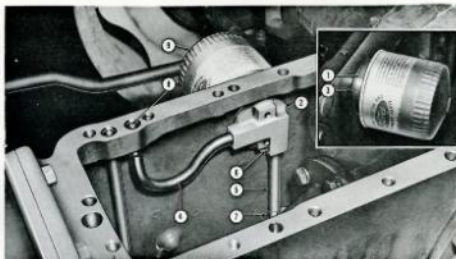
1

Fordson Major

32/

ITEM NO.	PART NO.	DESCRIPTION	QTY.	ITEM NO.	PART NO.	DESCRIPTION	QTY.
1	304732-336	Bolt	4	18	E11-LD-9	Pulley	1
2	DKN-8567-C	Hub	1	19	DKN-8520-C	Belt	1
3	E8-LD-9	Pump & Res.	1	20	E190-LD-9	Hose Assy.	1
5	E5-LD-9	Bracket	1	21	E191-LD-9	Hose Assy.	1
6	DKN-8509-D	Pulley	1	--	E195-LD-9	Adapter	1
8	34805-336	Lockwasher	10	22	E88-LD-9	Strap (N. S.)	1
9	23798-88	Nut	4	23	72083-88	Cotter Pin	3
10	34690-88	Nut	1	24	33987-88	Nut	2
11	34843-87	Washer	1	25	DDN-3304-C	Link Assy.	1
12	74174-8	Key - Woodruff	1	26	E18-LD-9	Cylinder Assy.	1
13	Y-9443	Washer	7	27	DKN-3133-C	Arm Assy.	1
14	34805-336	Lockwasher	10	28	E1-LD-9	Bracket	1
15	304683-836	Bolt	3	29	34849-87	Washer	4
16	DKN-4332-B	Washer	1	30	304733-336	Bolt	4
17	E8-LD-9	Pulley	1	31	118023-E8	Washer	1
--	304648-336	Bolt	3	32	28887-E88	Bolt	1
--	304681-88	Bolt	2	33	380125-843	Nut	1
				34	59716-88	Nut	2

# ACCESSORIES AND SPECIAL ITEMS



## HYDRAULIC OIL FILTER ADAPTING KIT

FIG.	PART NUMBER	PART NAME	NO. REQ'D	MODEL OR SERIES	YEAR
	CAPN-500-A	Kit - Hyd. Oil Filter Adapting	1	Ford 4-Cylinder Tractors	55/
		Consists of the following:			
1	CONN-B878-A	Adapter - Hyd. Lift Oil Filter Outer 374373-S8 Bolt, 3/8 - 24 x 1.25 (Adapter to Ctr. Hsg.) Hex Drld. Hd.	1		
	CONN-B879-A	Insert - Hyd. Lift Oil Flt. Outer Adapt.	1		
2	CONN-B880-A	Adapter - Hyd. Lift Oil Filter Inner	1		
3	CONN-B881-A	Gasket - Hyd. Lift Oil Filter Adapter	2		
4	CONN-B882-A§	Tube - Hyd. Lift Oil Filter Inlet	1		
5	CONN-B883-A§	Tube - Hyd. Lift Oil Filter Outlet	1		
6		72051-S8 Pin, 1/16 x 1.25 (Tube to Inner Adapter) Cotter	1		
7		374285-S2§ Clip, Filter Outlet Tube	1		
8	CONN-B886-A	Tube - Hyd. Lift Cyl. Outlet	1		

§ When using Kit CAPN-500-A on Offset Tractors delete one each of CONN-B882-A Tube, CONN-B883-A and 374285-S2 Clip and add the following.

	CONN-B882-B	Tube - Hyd. Lift Oil Filter Inlet	1	Offset	
	CONN-B883-B	Tube - Hyd. Lift Oil Filter Outlet	1	Offset	
	CONN-A949-A	Tube Assy. - Hyd. Lift Oil Drain Upper (Used in place of B9NN-A949-B)	1	Offset	

## FILTER FOR USE WITH CAPN-500-A KIT

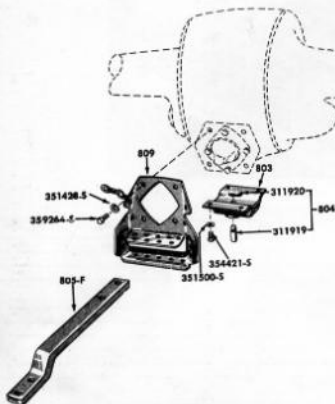
9	C5NN-6714-B	Filter Assy. - Engine Oil (Throwaway Type)	1		
---	-------------	--	---	--	--

## PARTS REQUIRED FOR TRACTOR HYDRAULIC SYSTEM

	B9NN-440-E	Bshng. - Hyd. Lift Unld. Val. Frt. (Blue) (1.0002-1.0004)	1	Alt. W/F	55/
	B9NN-440-F	Bshng. - Hyd. Lift Unld. Val. Frt. (Yell.) (1.0004-1.0006)	1	Alt. W/E	55/
	B9NN-481-B	Bshng. - Hyd. Lift Cont. Val. (Blue) (1.0002-1.0004)	1		55/
	B9NN-913-A	Valve - Hyd. Lift Cont. (White) (.5917-.5919)	1	Alt. W/B & C	55/
	B9NN-913-B	Valve - Hyd. Lift Cont. (Blue) (.5919-.5921)	1	Alt. W/A & C	55/
	B9NN-913-C	Valve - Hyd. Lift Cont. (Yellow) (.5921-.5923)	1	Alt. W/A & B	55/
	NCA-A951-A	Restrictor - Hyd. Lift Control Flow	1		

## ACCESSORIES AND SPECIAL ITEMS

## SWINGING DRAWBAR



NAA	
All Purpose	Rowcrop
Dexta	

FIG.	PART NO.	PART NAME	NO.	REQ.	REMARKS	YEAR
	NCA-803-B	Clevis Assy. - Drawbar	1	-		
	NCB-803-B	Clevis Assy. - Drawbar	-	1		
		354421-SB Bolt - 5/8-11 x 1.38 (Clevis to Center Housing) Hex Hd.	4	4		
	CBPN-804-A	Kit - Pin & Spring Drawbar Clevis (7/8" Dia.)	1	1		
		Consists of -				
		(1) 311919 Pin (N. S.)				
		(1) 311920 Spring				
	CONN-805-F	Drawbar - Swinging	1	-		
	CONN-805-G	Drawbar - Swinging	-	1		
	NCA-809-A	Hanger Assy. - Swinging Drawbar	1*	-	NAA, 600, Dexta	
	NCB-809-A	Hanger Assy. - Swinging Drawbar	-	1	700, 900	
	NDA-809-A	Hanger Assy. - Swinging Drawbar	1*	-	800	
		34808-S7 Washer - 7/16 Lock				
		359264-SB Bolt - 7/16-14 x 1.50 (Hanger to Rear Axle Assy.) Hex Hd.	4	4		
	* Use proper Hanger for model on which Drawbar is being installed.					

# ACCESSORIES AND SPECIAL ITEMS

## CATEGORY I ATTACHING KIT

CONN-C923-B

FOR

8000 TRACTORS



A 914



8N-5182 Drawbar



C877



C878

FIG.	PART NO.	PART NAME	NO. REQ.	REMARKS	YEAR
	CONN-C923-B	Kit - Category I Attaching	AR	8000	81/
		Consists of the following -			
	CONN-C877-B	End Assy. - Hyd. Lift Link - R. H.	1		81/
	CONN-C878-B	End Assy. - Hyd. Lift Link - L. H.	1		81/
	CONN-A914-D	Socket - Adj. Upper Link - Rear	1		81/

## FIXED DRAWBAR



9N-5182 Drawbar

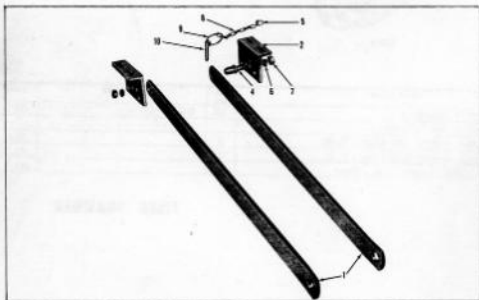
Quickly installed on all  
4-Cylinder Ford & Dextra  
Tractors where this type  
of drawbar is desired.

# ACCESSORIES AND SPECIAL ITEMS

## STABILIZER LINK KITS

YEAR	MODEL	PART NO.
39/	All Purpose, LCG, Industrial & Dexta	231253
55/	Rowcrop	231076
58/	H. D. Industrial	312533 *

\* The following parts are also required -  
 2 - 230044 Pins, 2 - 34811-S7 Washers,  
 2 - 33806-58 Nuts, & 2 - 2N-608 Pins



4 - WHEEL STABILIZER LINK KIT

FIG.	PART NUMBER	PART NAME	NO. REQ'D	MODEL OR SERIES	YEAR
	231253	Kit - Stabilizer Link	1	All Pur., LCG, Ind. & Dexta	39/
		Consists of the following:			
1	230042	Link, Stabilizer	2		39/
2	231254	Bracket, Stabilizer Link, R. H. & L. H.	2		39/
4	230044	Pin, Bracket to Link Anchor	2		39/
5	9N-508-B	Anchor	2		39/
6	351500-S7	Washer, 5/8" Lock	2		39/
7	33806-S36	Nut, 5/8 - 18 (Anchor Pin)Hex	2		39/
8	9N-573-B	Chain	2		39/
9	2N-608	Linch Pin & Locking Ring Assy.	2		39/

## ACCESSORIES AND SPECIAL ITEMS

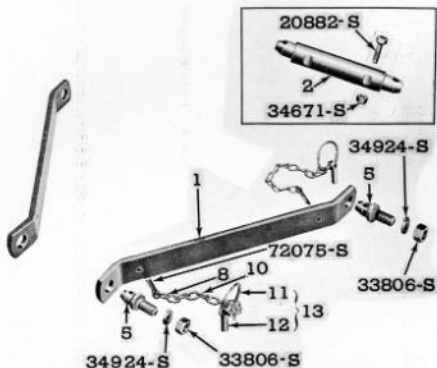
STABILIZER  
LINK  
KITS

FIG.	PART NO.	PART NAME	NO. REQ.	REMARKS	YEAR
<b>ROWCROP STABILIZER LINK KIT</b>					
	231076	Kit - Stabilizer Link - Used W/NCB-802-B	1	Rowcrop	55/
		Consist of the following -			
1	230917	Link - Stabilizer	2		55/
2	230918	Pin - Stabilizer Link Pivot	1		55/56
		34671-534 Nut - 7/16-20 Hex	2		55/56
		304863-526 Bolt - 7/16-20 x 2.25 (Pin to Clevis)			
		Hex Hd.	2		55/56
5	230044	Pin - Anchor	2		55/
		34924-87 Washer - 5/8 Int. Tooth Lock	2		55/
		33806-836 Nut - 5/8-18 (Anchor Pin to Lower Link) Hex	2		55/
8	9N-508-B	Anchor	4		55/
		72075-58 Pin - 1/4 x 1 1/2 (Anchor to Link) Cotter	4		55/
10	9N-573-B	Chain - Linch Pin	4		55/
11	2N-608	Linch Pin & Locking Ring Assy.	4		55/
<b>H. D. INDUSTRIAL STABILIZER LINKS</b>					
1	312533	Link - Drawbar Stabilizer	2		58/
5	230044	Pin - Stabilizer Link Pivot	2		55/
		34811-536 Washer - 5/8 Lock	2		
		33806-536 Nut - 5/8-18 (Pivot Pin to Frame Side Member Hanger) Hex	2		58/
11	2N-608	Linch Pin & Locking Ring Assy.	2		58/

## ACCESSORIES AND SPECIAL ITEMS

FMD POSITION CONTROL ATTACHMENT

PART NO. 102150

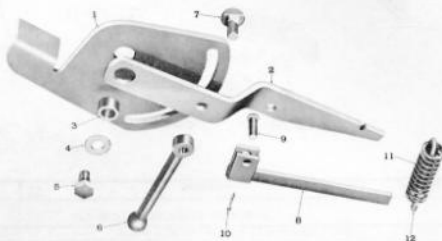
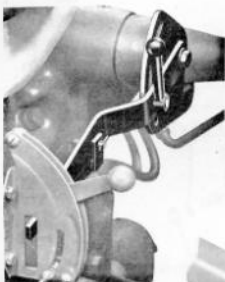


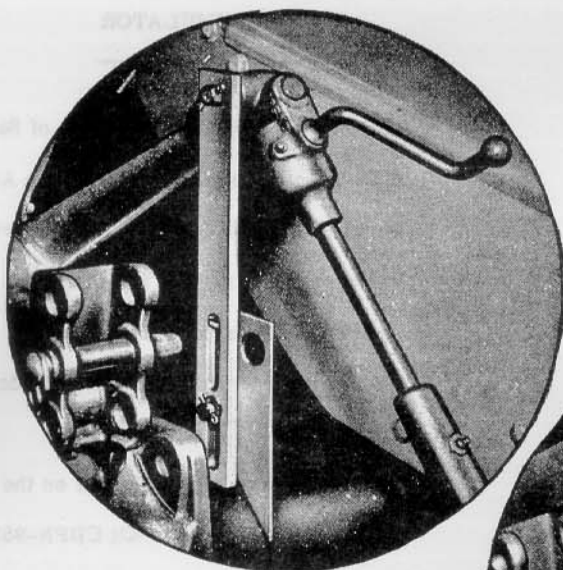
FIG.	PART NO.	PART NAME	NO. REQ.	REMARKS	YEAR
POSITION CONTROL ATTACHMENT (FMD & FPM)					
	102150	Position Control Attachment	1	FMD, FPM Prior to Serial #1578885	52/80
		Consists of the following -			
1		Quadrant - Adj. Arm - Not Serviced- Order 102150	1		
2	102153	Arm - Adj.	1		
3	102157	Spacer - 1/2 x .54			
4		44734-S8 Washer - 1/2" Flat	1		
5		375571-S8 Bolt - 1/2-20 x 1 1/4 (Adj. Arm to Quad. & Tractor) Hex Hd.	1		
6	102151	Arm - Lock	1		
7		302365-S8 Bolt - 7/16-14 x 1 1/4 (Arm to Quadrant) Carr.	1		
8	102154	Arm Assy. - Spring Rel.	1		
9		76028-S8 Pin - 3/8 x 1-1/16 Drilled			
10		72017-S8 Cotter Pin - 1/8 x 3/4 (Arm Assy. to Adj. Arm)	1		
11	102158	Spring	1		
12	102159	Retainer - Spring	1		



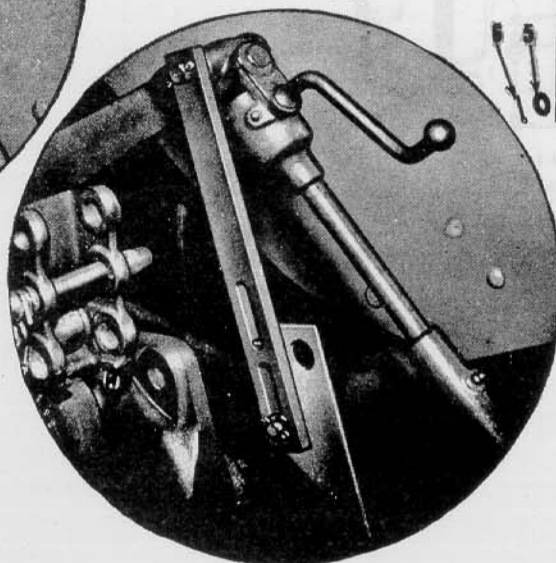
# ACCESSORIES AND SPECIAL ITEMS

A-3-7

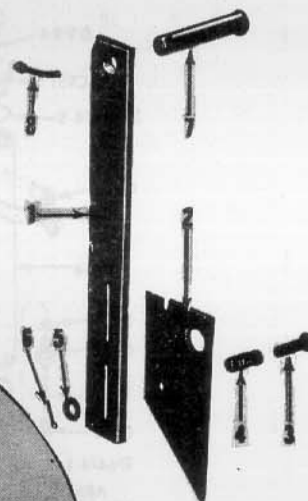
## TRANSPORT LOCK ASSEMBLY



TRANSPORT POSITION



TRANSPORT LOCK  
ASSEMBLY FREE  
FOR OTHER USES



149170

### TRANSPORT LOCK ASSEMBLY

FIG.	PART NUMBER	PART NAME	NO. REQ'D	MODEL OR SERIES	YEAR
	149170	Transport Lock Assembly	1	9N, 2N, 8N	39/52
		Consists of the following:			
1	149171	Bar, Transport Lock	1		
2		Cam, Transport Lock N. S.	1		
3		73971-S8 Pin 3/8x1-3/8 Clevis	1		
4	185174	Spring, Compression	1		
5		44728-S36 Washer, 3/8 Flat	1		
6		72017-S8 Cotter Pin, 1/8 x 3/4 (Spring Retaining)	1		
7	149173	Pin, .82 x 3.7 (3.4 H. C.) Clevis	1		
8		72037-S8 Cotter Pin, 3/16 x 1 (Lock			

# ACCESSORIES AND SPECIAL ITEMS

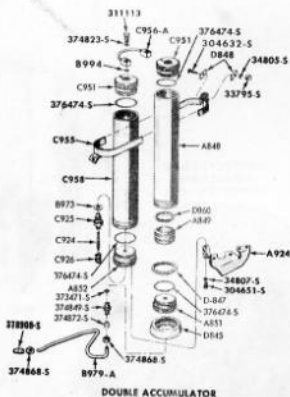
## RESERVE NITROGEN CONTAINER

FOR

## ACCUMULATOR

Increase the Hydraulic Capacity of Series 6000 Tractors equipped with Single Accumulator. Install CBPN-953-B Reserve Nitrogen Container Kit for additional Hydraulic Power to operate Remote Hydraulic Control Valves and Cylinders.

All parts shown in BOLD print on the Illustration are contained in Kit CBPN-953-B. Other parts are reusable from your Single Accumulator System.



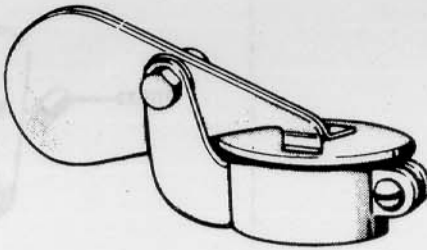
### ACCUMULATOR GAS BOTTLE KIT, PART NO. CBPN-953-B

Consists of:

1	CONN-C957-A	Strap Assy. - Lower	2	CONN-B994-A	"O" Ring - Bolt (Lower)
1	C5NN-A924-A	Bracket - Accum.	2	376474-S	Seal - "O" Ring End.
1	C3NN-C955-A	Strap - Accum. Mtg.	1	33795-S	Nut - 1/4-20 Hex.
1	C3NN-C956-A	Tube Assy. - Accum.	1	304632-S36	Bolt - 1/4-20 x 5/8 Hex Hd.
1	CONN-C958-A	Cylinder	1	34805-S	Washer - 1/4 Lock
2	CONN-C951-A	End	4	34907-S7	Washer - 3/8 Lock
1	C5NN-B979-A	Tube	2	304651-S36	Bolt - 3/8-24 x 3/4 Hex Hd.
2	C3NN-D848-A	Reinforcement	2	304650-S36	Bolt - 3/8-16 x 3/4 Hex Hd.
2	311113	Bolt - Tube	2	374868-S38	Nut - 1/2 Flareless Tube
2	374823-S	"O" Ring - Bolt (Upper)	2	378908-S100	Ferrule - 1/2" Flareless Tube

# ACCESSORIES AND SPECIAL ITEMS

## RAINCAPS IV



### RAINCAPS AVAILABLE FOR ALL TRACTORS

<u>PART NO.</u>	<u>SIZE</u>	<u>FOR USE WITH</u>
CONN-5C208-A	1-1/2"	Vertical Exhaust Kit NAA-55237-A on 134 Cu. " 55/- & 172" 55/57
CONN-5C208-B	1-3/4"	Vertical Exhaust Kit 311933 on 172" 58/-
CONN-5C208-C	2"	6000 Tractors

# ACCESSORIES AND SPECIAL ITEMS

## VERTICAL EXHAUST KITS

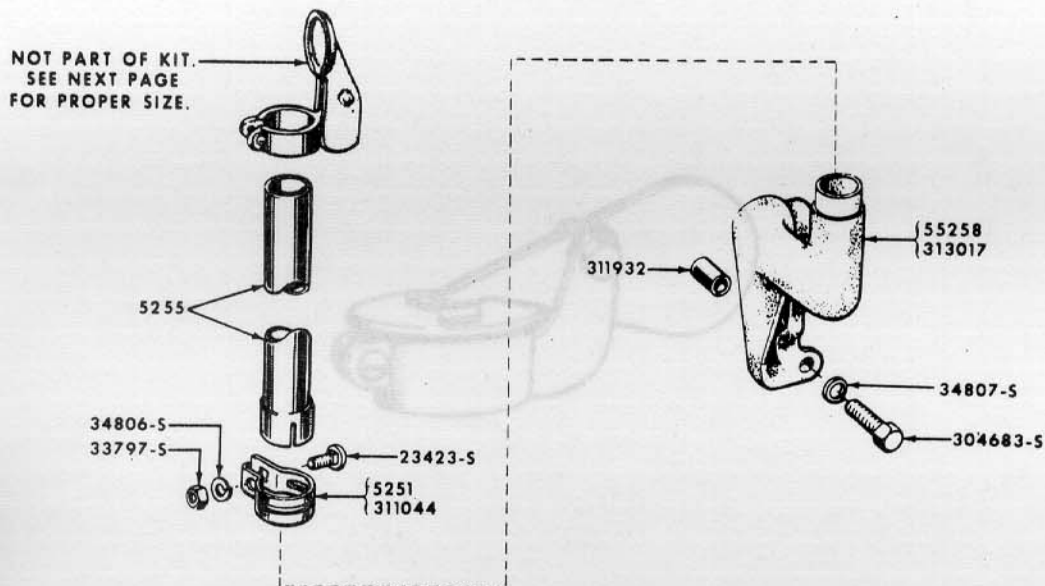
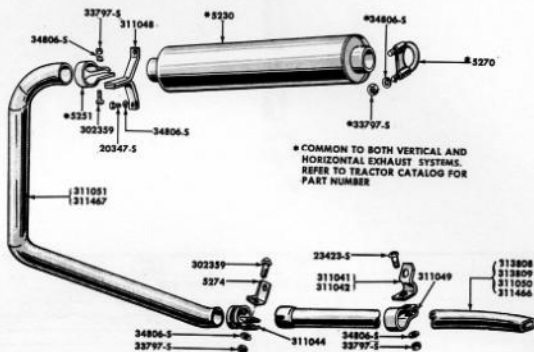


FIG:	PART NUMBER	PART NAME	NO. REQ'D	MODEL OR SERIES	YEAR
<b>VERTICAL EXHAUST KITS</b>					
	NAA-55237-A	Kit - Vertical Exhaust (Less Raincap)	1	134"	53/
		Consists of the following:	1	172"	55/57
	NAA-55258-A	Elbow - Muffler Outlet Pipe Support	1		
	NAA-5251-C	Clamp	1		
	NAA-5255-E	Pipe	1		
	34807-S7	Washer, 3/8" Lock	1		
	34806-S36	Washer, 5/16" Lock	1		
	304741-S36	Bolt, 3/8"-16 x 1-3/8" Hex Hd.	1		
	304683-S8	Bolt, 5/16"-24 x 1" Hex Hd. (Elbow to Fuel Tank Brkt)	1		
	34806-S36	Washer, 5/16" Lock	1		
	33797-S2	Nut, 5/16" - 18" Hex	1		
	23423-S8	Bolt, 5/16"-18 x 1-1/8" (Pipe to Elbow) Carr.	1		
	311933	Kit, Vertical Exhaust (less pipe & raincap assy.)	1	172"	56/
		Consists of the following:			
	313017	Elbow, Muffler Outlet Pipe Support	1		
	311044	Clamp, Outlet Pipe	1		
	34806-S38	Washer, 5/16 Lock			
	33797-S26	Nut, 5/16 - 18 Hex			
	23423-S8	Bolt, 5/16-18 x 1.12" (Clamp & Elbow to Muffler) Carr.	1		
	311932	Spacer, Elbow	1		
	34807-S8	Washer, 3/8 Lock			
	304741-S36	Bolt, 3/8-16 x 1.38 (Elbow & Spacer to Block) Hex Hd.	1		
	34806-S36	Washer, 5/16 Lock			
	304683-S36	Bolt - 5/16-24 x 1 (Elbow to Block) Hex Hd.	1		
		(For Muffler Outlet Pipe cut 311466 to desired length)	1		

# ACCESSORIES AND SPECIAL ITEMS



## HORIZONTAL EXHAUST INSTALLATION FOR FORD DIESEL TRACTORS

FIG.	PART NO.	PART NAME	NO. REQ.	REMARKS	YEAR
	311048	Bracket Assy. - Muffler	1		
	34806-836	Washer - 5/16 Lock			
	504649-836	Bolt - 5/16-24 x .75 (Bracket to Fuel Tank Supp.) Hex Hd.	2		
	311051	Pipe - Muffler Outlet	1	Except Rowcrop	
	311467	Pipe - Muffler Outlet	1	Rowcrop	
	504759-836	Bolt - 5/16-18 x 1.50 (Pipe & Clamp to Bracket) Hex Hd.	2		
	311044	Clamp - Outlet Pipe	1		
	34806-87	Washer - 5/16 Lock			
	33797-82	Nut - 5/16-18 Hex			
	302357-836	Bolt - 5/16-18 x 1.25 (Pipe Ext. & Clamp to Clamp Bracket) Carr.	1		
	311050	Extension - Muffler Outlet Pipe	1	Except Rowcrop & S-O-S	
	311466	Extension - Muffler Outlet Pipe	1	Except Select-O-Speed Rowcrop	
	NCA-5274-A	Bracket - Outlet Pipe Clamp - Ext.	1		
	311049	Clamp - Outlet Pipe Ext.	1	Except Rowcrop	
			2	Rowcrop	
	34806-836	Washer - 5/16 Lock			
	33797-82	Nut - 5/16-18 Hex			
	302357-836	Bolt - 5/16-18 x 1.25 (Ext. & Clamp to Ext. Bracket) Carr.	2	Except Rowcrop	
			2	Rowcrop	
	311041	Bracket - Outlet Pipe Extension	1	172" Except Rowcrop	
	311042	Bracket - Outlet Pipe Extension	1	134" & Rowcrop	
	313808	Extension - Muffler Outlet Pipe	1	Select-O-Speed Except Rowcrop	
	313809	Extension - Muffler Outlet Pipe	1	Rowcrop Select-O-Speed	



# ACCESSORIES AND SPECIAL ITEMS

---

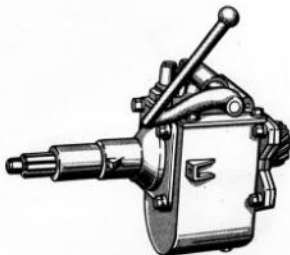
## COMBINATION TRANSMISSIONS

AVAILABLE

FOR USE WITH

FORD 4-CYLINDER

FOUR SPEED TRANSMISSIONS



### COMBINATION TRANSMISSIONS

C3NN-7C373-C \*

For all 4-Speed Transmissions  
after Serial #14257 58/

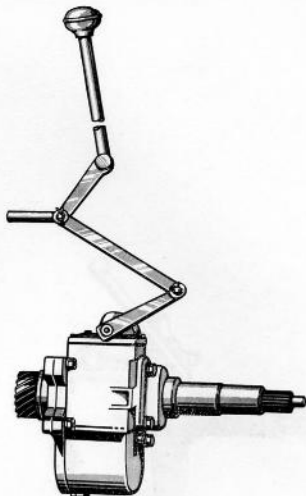
C3NN-7C373-D \*

For all 3 & 4-Speed Transmissions  
prior to Serial #14257 39/57

\* Refer to Tractor Parts Catalog for Component Service Parts

# ACCESSORIES AND SPECIAL ITEMS

## REVERSING TRANSMISSIONS



### REVERSING TRANSMISSIONS

C3NN-7C373-B	L. H.	4-Speed Trans. after Serial #14257	58/
C3NN-7C373-A	R. H.	4 Speed Trans. after Serial #14257	58/
C3NN-7C373-E	R. H.	3 & 4 Spd. Trans. prior to Serial #14257	39/57
C3NN-7C373-F	L. H.	3 & 4 Spd. Trans. prior to Serial #14257	39/57

### REVERSING TRANSMISSION LEVERS

#### One Required With Each Transmission

C3NN-7202-A	L. H.	Use W/CONN-7C372-A on 4-Spd. All Purpose after Serial #14257	58/
CONN-7202-D	L. H.	Use W/CONN-7C372-A on 4-Spd. H. D. Industrial after Serial #14257	58/
B9NN-7202-A	L. H. (Short)	Use W/CONN-7C372-A & D Only	39/
B9NN-7202-C	R. H. (Short)	Use W/CONN-7C372-B & C Only (NS- Use Components)	39/
CONN-7202-A	R. H.	Use W/CONN-7C372-B & C Only	39/

Refer to Tractor Parts Catalog for Components of Transmissions & Lever Assemblies.

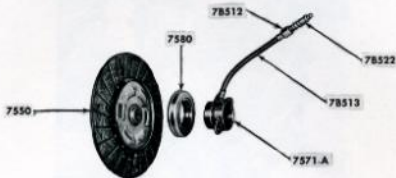


# ACCESSORIES AND SPECIAL ITEMS

## PRESSURE LUBRICATED CLUTCH RELEASE BEARINGS

### INCREASE BEARING LIFE

These kits are adaptable to all Industrial Tractors with 4-Speed Transmissions prior to Serial #153761 and with 5-Speed Transmissions prior to Serial #154222. Also a 3 & 5-Speed Single Clutch Tractors produced after Serial #14256 (1958/-).



### CLUTCH RELEASE BEARING PRESSURE LUBE KIT

FIG.	PART NO.	PART NAME	NO. REQ.	REMARKS	YEAR
	CONN-7B511-A	Kit - Clutch Release Bearing Press. Lube	AR	4Speed Trans.	55/

Consists of:

- (1) CONN-7B512-A Fitting Assy.
- (1) CONN-7B513-A Hose Assy.
- (1) CONN-7550-C Disc Assy.
- (1) CONN-7571-A Hub (Grease Type)
- (1) CONN-7580-A Bearing Assy.
- (1) CONN-7B522-A Retainer



### CLUTCH RELEASE BEARING PRESSURE LUBE KIT

FIG.	PART NO.	PART NAME	NO. REQ.	REMARKS	YEAR
	CONN-7B511-B	Kit - Clutch Release Bearing Press. Lub.	AR	5 Speed Trans.	55/

Consists of:

- (1) CONN-7B512-A Fitting Assy.
- (1) CONN-7B513-A Hose Assy.
- (1) CONN-7550-C Disc Assy.
- (1) CONN-7571-B Hub (Grease Type)
- (1) CONN-7580-A Bearing Assy.
- (1) CONN-7B522-A Retainer

# ACCESSORIES AND SPECIAL ITEMS

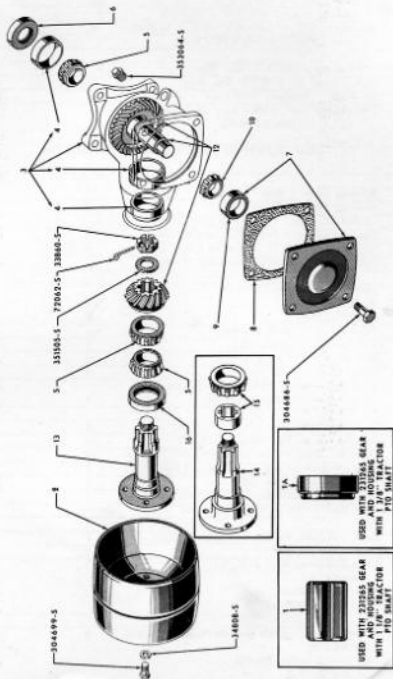
## P.T.O. BELT PULLEY



AVAILABLE FOR:  
 FORD - DEXTA - FORDSON MAJOR  
 TRACTORS

231265	Gear & Housing Assy.	1	} For Dexta 11-57/8-60 & 4-Cylinder Ford Tractors from 1939 to date.
9N-740-A2	Pulley Assy. - 9"	1	
231272	Adapter - W/1-3/8 PTO	1	
34808-S7	Washer - 7/16 Lock	4	
304669-S36	Bolt - 7/16-20 x 7/8 Hex Hd.	4	
957E-760-D	Pulley & Drive Gear Assembly	1	For Dexta from 8-60/ -
DKN-115050	Pulley and Drive Gear Assembly	1	For Fordson Major Tractors from 1952 to date.

# ACCESSORIES AND SPECIAL ITEMS



P.T.O. GEAR HOUSING & PULLEY ASSEMBLY

## ACCESSORIES AND SPECIAL ITEMS

FIG.	PART NUMBER	PART NAME	NO. REQ'D	MODEL OR SERIES	YEAR
P. T. O. GEAR HOUSING AND PULLEY ASSEMBLY FOR DEXTA 11-57/8-60 AND FORD 4-CYLINDER FROM 1939/					

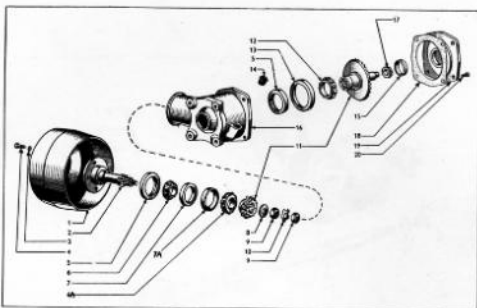
	231265	Gear & Housing Assy. W/231082 Adapter W/1 1/8" P. T. O. Shaft	1		39/56
		W/231272 Adapter w/1-3/8" PTO Shaft	1		57/
1	231082	Adapter (1 1/8 to 1 3/8) w/1 1/8 P. T. O. Shaft	1		39/56
1A	231272	Adapter (Spacer) w/1-3/8 PTO Shaft	1		57/
2	9N-740-A2	Pulley Assy. (PTO) 9" Dia. Steel	1		39/
2	9N-740-A2	Pulley Assy. (P. T. O.) 9" Dia. Steel	1		39/
		34806-S7 Washer, 7/16 Lock			
		304669-S36 Bolt, 7/16 - 20 x .88 (Pulley to Shaft) Hex Hd.	4		39/

## COMPONENTS OF GEAR &amp; HOUSING ASSEMBLIES

		9N-736		231265	
3	231266	Housing Assy. - Gear	--	1	39/
3	9N-762	Housing Assy. - Gear	1	--	39/56
		87618-S2 Plug, 1/4-14 (Oil Filler) Pipe	1	1	39/
4	9N-744	Cup - Drive Gear Brg. (Also part of Hsg.)	1	--	39/56
4		Driven Gear Brg. (Also part of Hsg.)	2	2	39/
4	WAA-4221-A	Cup - Drive Gear Brg. (Also part of Hsg.)	--	1	39/
5	9N-743	Cone & Roller, Shaft Bearing			
		W/9N-746 Shaft	1	--	39/56
		W/231368 Shaft	2	2	39/
5	WAA-4222-A	Cone & Roller, Shaft Bearing	--	1	39/
6	9N-749-B	Seal Assy. - Dr. Gear Brg.	1	--	39/56
6	231271	Seal Assy. - Dr. Gear Brg.	--	1	39/
7	9N-761	Cover Assy. - Gear Hsg.	1	1	39/
		304686-S36 Bolt, 7/16 - 14 x 1 (Cover to Gear Hsg.) Hex Hd.	4	4	39/
8	9N-747-A	Gasket - Gear Hsg. Cover .018/.023	AR	AR	39/
8	9N-747-B	Gasket - Gear Hsg. Cover .013/.019	AR	AR	39/
8	9N-747-C	Gasket - Gear Hsg. Cover .008/.015	AR	AR	39/
9	9N-753	Cup - Gear Pilot Brg. (Also part of 9N-761)	1	1	39/
10	9N-752	Cone & Roller - Gear Pilot Brg.	1	1	39/
12	9N-713	Gear Set - Drive & Driven (Matched)	1	--	39/56
12	231374	Gear Set - Drive & Driven (Matched)	--	1	39/
13		Shaft - P. T. O. Pulley N.S. (Use 309530)	1	--	39/57
14	231368	Shaft - P. T. O. Pulley	--	1	57/
	309530	Shaft & Bushing Kit - P. T. O.	1	1	39/
		Consists of:			
		(1) 231368 Shaft			
		(1) 231369 Bushing			
15	231369	Bushing Assy. - Shaft Bearing (Used w/231368)	1	1	57/
		Consists of:			
		(1) Cone & Roller 9N-743			
		(1) Bushing N.S.			
		351505-S8 Washer, 5/8 Flat	1	1	39/
		72062-S8 Pin, 1/8 x 1 3/8 Cotter	1	1	39/
		33860-S8 Nut, 5/8 - 18 (Driven Gear Shaft) Hex Slotted	1	1	39/
16	9N-750-B	Seal Assy. - P. T. O. Shaft Brg.	1	1	39/

## ACCESSORIES AND SPECIAL ITEMS

## DEXTA BELT PULLEY

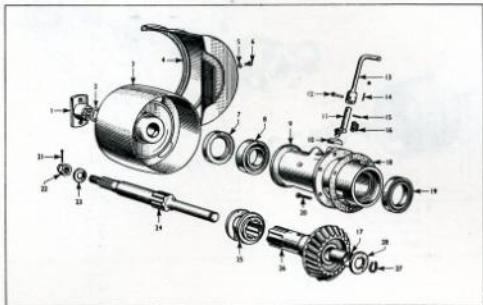


## DEXTA BELT PULLEY 8-60/-

For Use After Serial No. 63953

FIG.	PART NO.	QTY.	DESCRIPTION
	957E-760-D	1	Pulley & Drive Gear Assy. - PTO Right
	Consists of the following -		
1	957E-740-B	1	Angle (W/10-1/4" Pulley)
2	957E-746-B	1	Pulley - Belt - 10-1/4"
3	34808-97	4	Shaft - Belt Pulley
4	304681-836	4	Lockwasher
5	957E-750-A	2	Bolt - 7/16-20 x 1 Hex (Pulley)
6	E105-GE-9	1	Seal - Belt Pulley
6A	E137-GE-9	1	Cone & Roller Assy. - Shaft Brg. - Outer
7	E196-GE-9	1	Bearing & Bushing Assy. - Shaft
7A	E141-GE-9	1	Cup Bearing - Outer
8	351905-88	1	Cup - Shaft Brg. - Inner
9	117554-ES	2	Washer - Flat (Shaft Nut)
10	E81-GE-9	1	Nut - Shaft Lock
11	E127-GE-9	1	Lockwasher - Shaft
12	957E-743-A	1	Gear Assy. - Drive
13	957E-744-A	1	Cone & Roller Assy. - Dr. Gear Brg.
14	353051-ES	1	Cup - Dr. Gear Brg.
15	9N-753	1	Plug - 3/4-14 Sq. Hd.
16	957E-748-C	1	Cup - Dr. Gear Brg.
17	9N-752	1	Housing Belt Pulley
18	957E-747-A	AR	Cone & Roller Assy. - Dr. Gear Brg.
18	957E-747-B	AR	Gasket Cover (.020/.023)
18	957E-747-C	AR	Gasket Cover (.018/.019)
19	957E-741-B	1	Gasket Cover (.012/.015)
20	304666-836	4	Cover - Housing
			Bolt - 7/16-14 x 7/8 Hex (Cover)

## ACCESSORIES AND SPECIAL ITEMS

**FORDSON MAJOR  
BELT PULLEY**


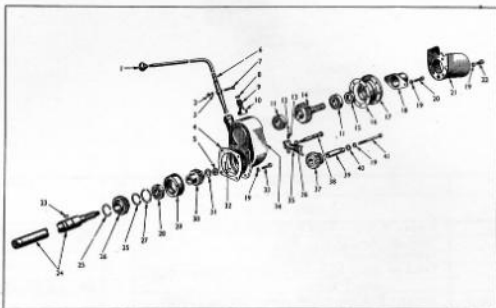
DKN-115050

PULLEY AND DRIVE GEAR

FORDSON MAJOR 52/-

FIG.	PART NO.	DESCRIPTION	FIG.	PART NO.	DESCRIPTION
1	N-115060-A	Bushing	15	354925-87	Pin - 3/16 x 1-1/8 Roll.
2	DKN-115103	Gasket	16	N-115095-A	Spring
3	DKN-115051	Pulley	17	957E-7513	Bushing
4	DKN-115039	Guard	18	N-7166-A	Gasket
5	34807-87	Lockwasher	19	CONN-7C246-B	Bearing
6	304650-S36	Bolt - 3/8-16 x 3/4 Hex Hd.	20	303221-S8	Screw
7	N-115080-B	Retainer	21	72053-88	Pin - 1/8 x 1 1/4
8	N-7065-B	Bearing	22	45302-88	Nut - 3/4-16 Hex
9	DKN-115065	Housing	23	N-22393	Washer
10	N-115094	Block	24	DKN-115068	Shaft
11	N-115093-A	Lever	25	N-115091-A	Shifter
12	76264-S8	Pin	26	DKN-115066	Gear
13	DKN-115090	Handle	27	E15-GA-1	Ring
14	72009-S	Pin - 3/32 x 5/8 Cotter	28	DKN-1195	Washer

## ACCESSORIES AND SPECIAL ITEMS

RAISED POWER TAKE-OFF  
FOR FORDSON MAJOR

E30-GE-9 \*

RAISED POWER TAKE-OFF

FORDSON MAJOR 52/

FIG.	PART NO.	DESCRIPTION	FIG.	PART NO.	DESCRIPTION
1	7W-7213-B	Knob	22	304760-S36	Bolt
2	33800-S8	Nut	23	74184-S	Key
3	34807-S7	Lockwasher	24	E17-GE-9	Shaft
4	E20-GE-9	Gasket	25	DKN-994664	Ring
5	45304-S8	Nut	26	DKN-994649	Gear
6	E129-GE-9	Lever	27	E34-GE-9	Ring
7	118884-ES	Bolt	28	N-115069-A	Bearing
8	N-7228	Ring	29	E8-GE-9	Retainer
9	N-7227	Spring	30	E7-GE-9	Gear
10	N-7230-B	Retainer	31	44751-S	Washer
11	EOA-1225-A	Bearing	32	72090-S8	Split Pin
12	353075-S	Ball	33	304800-S36	Screw
13	BB-7234	Spring	34	E163-GE-9	Housing
14	E11-GE-9	Shaft	35	DDN-K703	Shifter
15	E27N-7305-A	Seal	36	DKN-994570	Seal
16	E22-GE-9	Gasket	37	E3-GE-9	Gear
17	E162-GE-9	Retainer	38	E23-GE-9	Shaft
18	E15-GE-9	Cover	39	E24-GE-9	Shaft
19	34808-S7	Lockwasher	40	87053-ES	Seal
20	304651-S36	Screw	41	22127-ES2	Screw
21	E26-GE-9	Guard			

\* E30-Ge-9 No Longer Serviced - Replaced by:  
 DDN-700-B P. T. O. Assy. N-115069-A Bearing  
 DDN-K705 Shaft E7-GE-9 Gear  
 DDN-K713 Bearing E20-GE-9 Gasket

# ACCESSORIES AND SPECIAL ITEMS

## P.T.O. GUARD



FIG.	PART NO.	PART NAME	NO. REQ.	REMARKS	YEAR
GUARD - P. T. O. COUPLING					
	231068	Guard - P. T. O. - Used W/Drawbar Hanger	1	8N, NAA, 600, 700, 800, 900	39/
		33898-S43 Nut - 5/16-18 Wing			
		34806-S36 Washer - 5/16 Lock			
		23423-S8 Bolt - 5/16-18 x 1 (Guard to Drawbar Hanger			
		Assy.) Carr.	2	8N, NAA, 600, 700, 800, 900	39/
	BRNN-581-A	Hanger - PTO Guard (Nec. when PTO Guard 231068 is desired on Models 9N, 2N, 8N & NAA)	1	9N, 2N, 8N, NAA	39/54

## P.T.O. SPLINE COUPLING ADAPTER



231082

Adapts all Tractors with a 1-1/8 PTO Shaft to fit Implements with a 1-3/8 Universal

## LIVE P.T.O. CLUTCH ASSEMBLY

LIVE P. T. O. CLUTCH ASSEMBLY

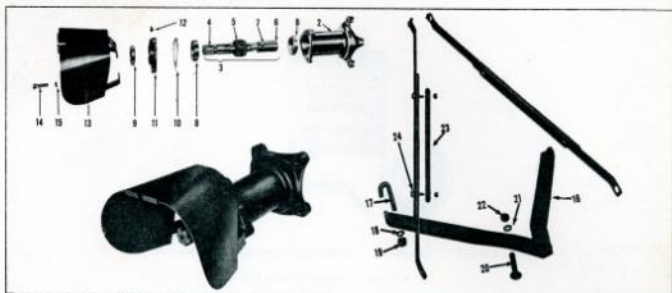
23-12 &amp; 230940 for NAA TRACTORS

No Longer Available

FIG.	PART NO.	PART NAME	NO. REQ.	REMARKS	YEAR
		Shown below are the components of the above assemblies that are still available for service.			
	2GA-8531	Snap Ring - Valve Spool	1		
	IP-77523-A	Snap Ring - Clutch Pressure	1		
	87032-904	"O" Ring - Valve Spool	2		
	97537-S	Snap Ring - Collector Ring	1		
	192844	Ball - 1/2" Dia. - After Serial #23-12-7000	1		
	230642	Ring - Collector - Standard	N. S.		
	230655	Plate - Driving - 54 External Teeth	N. S.		
	230656	Plate - Driven - 45 Internal Teeth	N. S.		
	230685	Hose Assy. - Clutch to Valve	N. S.		
	230700	Pump Assy. - Hydraulic	N. S.		



# ACCESSORIES AND SPECIAL ITEMS



## A. S. A. E. POWER TAKE-OFF EXTENSION KIT

FIG.	PART NUMBER	PART NAME	NO. REQ'D	MODEL OR SERIES	YEAR
AA		A. S. A. E. P. T. O. Conversion Kit No Longer Serviced - Use Components Consists of:		9N, 2N, 8N, NAA, 600, 700, 800, 900	39/55
2	230012	Housing (Extension)	1		
3	230014	Shaft Assy. (Extension)	1		
	113713	Decal	AR		
4	230015	Shaft (Extension)	1		
5	8N-779-A	Cone & Roller Assy. (Extension Shaft)	2		
6	230016	Sleeve (Extension Shaft)	1		
7	60577-S	Rivet 5/16 x 1-7/8 (Sleeve) Rd. Hd.	1		
8	9N-744	Cup (Outer Bearing)	2		
9	8N-790-A	Seal (Extension Dust)	1		
10	230019	Shim (Extension Housing Cover) .005"	AR		
10	230032	Shim (Extension Housing Cover) .013"	AR		
10	230033	Shim (Extension Housing Cover) .003"	AR		
11	230020	Cover (Extension Housing)	1		
12	87901-S8	Fitting 1/8" x 3/4" Lube	1		
13	230021	Guard Assy. (Extension)	1		
		304782-S36 Bolt, 7/16"-14 x 1-1/2" (Grd. Assy. to Cover to Hsg.) Hex Hd.	3		
15	34808-S7	Washer 7/16" Lock	3		
16	230901	Extension Assy. (Drawbar)	1		
17	230900	"J" Bolt 5/8-18 (Ext. Assy. to Lower Link)	2		
18	34811-S36	Washer 5/8" Lock	2		
19	33806-S36	Nut 5/8" - 18 Hex	2		
20	23553-S8	Bolt 5/8"-11 x 2 1/2" (Ext. Assy. to Drawbar) Rd. Hd. Carr.	2		
21	34811-S36	Washer 5/8" Lock	2		
22	34849-S7	Nut 5/8" - 11 Hex	2		
23	230031	Brace Assy. (Stay)	2		
24		304744-S36 Bolt 7/16"-20 x 1-3/8" (Brace Assy. to Lower Link) Hex Hd.	4		
		34808-S7 Washer 7/16" Lock	4		
		34871-S34 Nut 7/16" - 20 Hex	4		

# ACCESSORIES AND SPECIAL ITEMS

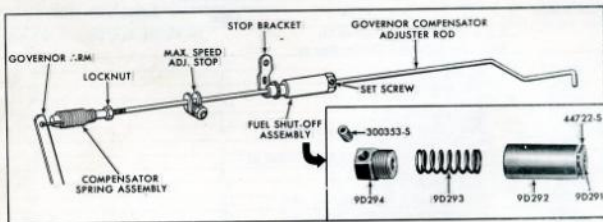
## LOCKABLE FUEL TANK FILLER CAP



C3NN-9030-A Cap Assy. - Lockable Fuel Tank Filler (With Keys)

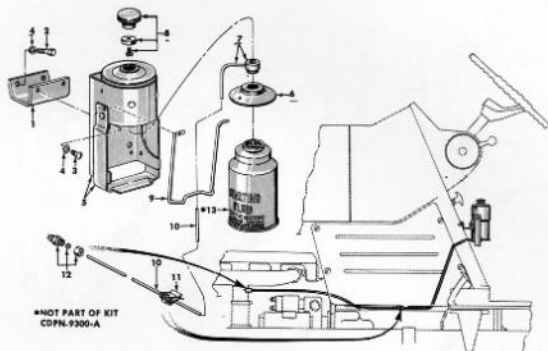
Fits all domestic Ford 4 & 6 Cylinder Tractors

## FUEL SHUT-OFF ASSEMBLY (GAS)



PREVENTS OCCURRENCE OF "AFTER FIRE" IN GASOLINE ENGINES

FIG.	PART NO.	PART NAME	NO. REQ.	REMARKS	YEAR
	CONN-9D278-B	Plunger Assy. - Fuel Shut-Off Consists of Body & Plunger plus - (1) CONN-9D291-A Plunger (N.S.) (1) CONN-9D292-A Body (N.S.) (1) CONN-9D293-A Spring (1) CONN-9D294-A Retainer (1) 44722-88 Washer (1) 300353-834 Set Screw	AR	Gas Only	58/

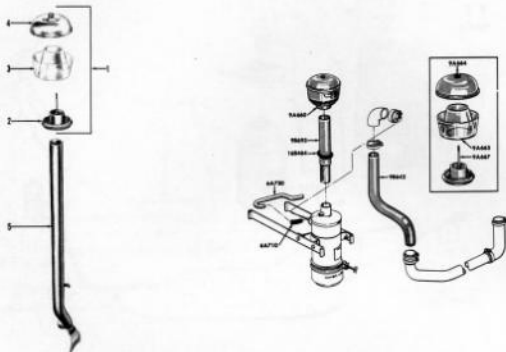


## DIESEL FUEL PRIMER ASSY. KIT

FIG.	PART NO.	PART NAME	NO. REQ.	REMARKS	YEAR
	CDPN-9300-A	Kit - Fuel Primer Assy	1	6000	63/
		Consists of:			
1	C3NN-9A410-A	Bracket - Mounting	1		63/
2		304632-S36 Bolt - 1/4-20 x 5/8 (Attach. Mounting Bracket) Hex Hd.	2		63/
3		35001-S8 Screw 1/4-20 x 1/2 (Attach. Bracket to Mounting Bracket) Thin Rd. Hd.	2		63/
4		34805-S7 Lockwasher 1/4	4		63/
5	C3NN-9C778-A	Bracket Assy. Tank	1		63/
6	C3NN-9C775-A	Adapter - Tank	1		63/
7	C3NN-9C776-A	Plunger Assy - Control	1		63/
8	C3NN-9C773-A	Knob Assy - Control	1		63/
9	C3NN-9C774-A	Bracket Retainer - Tank	1		63/
10	166920	Tubing - 1/8 O. D. 25 Ft. Length	AR		63/
11		356668-S32 Clip (Tube Attaching)	1		63/
12	CCPN-9395-A	Connector & Nozzle Assy (Tube End to Manifold)	1		63/
-	CONN-16A901-G	Decal - Warning	1		63/
13	C3NN-9A123-A	Starting Fluid - Pressurized Container (12 oz.)	1		63/

## ACCESSORIES AND SPECIAL ITEMS

## FORD DIESEL PRECLEANER ASSY.



## DIESEL AIR PRE-CLEANER ASSEMBLY

FIG.	PART NO.	PART NAME	NO. REQ.	REMARKS	YEAR
ALL PURPOSE - ROWCROP * LCG - INDUSTRIAL					
1	B9NN-9A660-A	Pre-Cleaner Assembly - Air	1	Accessory - Prior to Ser. #90876	58/59
			1	Standard - Ser. #90876-171247	59/62
		Consists of -	1	Accessory	63/
2	B9NN-9A667-A	Base - Pre-Cleaner	1		
3	B9NN-9A663-A	Body - Pre-Cleaner	1		
4	B9NN-9A664-A	Cover - Pre-Cleaner	1		
5	B9NN-9A661-A	Tube Assembly - Pre-Cleaner	1	Accessory - Prior to Ser. #90876	58/59
				Standard - Ser. #90876-171247	59/62
		Consists of -			
	304634-836	Bolt - 5/16-18 x 5/8 Hex Hd.	2		
	34806-836	Lockwasher - 5/16	2		
	33797-32	Nut - 5/16-18 Hex (Tube to Hood)	2		

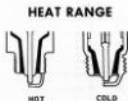
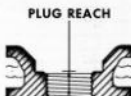


# ACCESSORIES AND SPECIAL ITEMS

## AUTOLITE SPARK PLUGS



### IDENTIFYING AUTOLITE SPARK PLUGS



#### FIRST LETTER

A	-	14MM
B	-	18MM
T	-	7/8"-18
P	-	10MM

#### SECOND LETTER

None	-	3/8"
L	-	7/16"
E	-	1/2"
G	-	3/4"

#### OTHER SECOND & THIRD LETTERS

R	-	Resistor
T	-	Transport
F	-	Tapered Seat
Z	-	Internal Series Gap

#### LETTERS AFTER NUMBER

S	-	Shield
X	-	Marine Outboard
M	-	Moisture-proof Pack

#### Hot Plugs

11, 10, 9

#### Medium Plugs

8, 7, 6

#### Cold Plugs

5, 4, 3, 2

#### EXAMPLE

A5  
BT8  
TT8  
P6

#### EXAMPLE

A5  
AL7  
AE6  
AG5

AER6  
AT4  
BF82  
BZ8

AS8  
AX3  
AX3-M

#### EXAMPLE

A11, AR10, A9

AT8, A7, AT6

A5, A42, A32, A21X

## ACCESSORIES AND SPECIAL ITEMS

## AUTOLITE SPARK PLUGS

## SPARK PLUG CROSS REFERENCE

AUTOLITE	FORD	AC	CHAMPION
ATX	NOC-12405-P		J6J
A5	OOO-12405-J	44	J7
A7	OOO-12405-A	45	J8
ATX	NOC-12405-B		J9J
A9	AOO-12405-A	46	J11
AKX	NOC-12405-Y		J11J
AS1X	NOC-12405-S		J4J
AS2	OOO-12405-B	42-S	J9F
A42	NOC-12405-B	44S	J10Y
AS2	NOC-12405-A	43S	J12Y
AS2	NSS-12405-A	46S	J18Y
AKS2	OOO-12405-G	44FP2	
AKS2	OOO-12405-K	46FP2	
AG3	NOC-12405-J		N5
AG42	OOO-12405-D		N11Y, UN12Y
AG25	C3FP-12405-AB		
AG50	C6NF-12405-A		
AG52	OOO-12405-L		N10Y
AG82	N30-12405-B	45XLS, 46XLS	
AGR62	N30-12405-D		
AGR52	N36-12405-E		
AGR62	N35-12405-F		
AL77	C6NF-12405-A	45L	H10
AL9	1A-12405-A		H11
AL11	B4A-12405-A		H12
AL32	NOC-12405-R		R78Y
AR42	Not Serviced		
AR32	NOC-12405-M		XJ-12Y
AR52	N36-12405-C		XJ-18Y
AT2	OOO-12405-X		J5
ATLEA	C6NF-12405-B		H8
A75	NOC-12405-A		UJ-12
BP7	B5A-12405-B		870
BP42	B6A-12405-A	64TS	F11Y
BP32	B7A-12405-B	87TS	F14Y
BH11-3	B6NX-9A438-A		40S
B685	NOC-12405-H		YED-16
B75	NOC-12405-Q		D4
B78	40-12405-C		D8
B72	NOC-12405-U		D81
B710	OOO-12405-R		\$10 COMM
B773	BPT-12405-A		F10
B778	B7A-12405-A		860
B7731	C3T2-12405-A		
B7731A	C4NF-12405-A		
B7742	C5T2-12405-A		
R78	NOC-12405-K		UD-16
P4	Not Serviced	104	UY-6
TT8	18-12405-B		\$1 COMM
TT10	OOO-12405-F		\$2 COMM

## ACCESSORIES AND SPECIAL ITEMS

## FORD TRACTOR BATTERY APPLICATIONS & SPECIFICATIONS

YEAR	MODEL	VOLTS	NET WT. (LBS)	PART NO.	CASE DIMENSIONS				OCT. AGE RATED	AMP. HR. RATED	NET WT. (LBS.)	NET WEIGHTING CAP. MINUTES
					L	B	H	V				
85	All Ford 4-CYL. Gasoline Tractors	6	0	CYR-10034-4	8-00W*	8-80W*	7"	4"	30	60	60.0	5.0
85	All Ford 4-CYL. Gasoline Tractors (8000-9000)	6	0	ASA-1001-4	8-10W*	8-00W*	8-00W*	6"	30	55	55.0	...
85	All Ford 4-CYL. Gasoline Tractors	6	0	CMP-10014-0	8-00W*	8-00W*	8-00W*	7"	30	55	55.0	5.0
85	Motor & Tractor (7 1/2")	6	0	CMP-10017-0	10-10W*	10-00W*	8-00W*	5.1"	30	55	55.0	5.0
85	Proton Motor	12	0	CMP-10017-0	10-10W*	10-00W*	10-00W*	10.0"	100	100	100.0	5.0
85	Deutz	12	0	CMP-10017-0	10-10W*	10-00W*	10-00W*	10.0"	100	100	100.0	5.0
85	All Ford 4-CYL. & 4-CYL. Diesel Tractors	12	0	CMP-10017-4	10-10W*	10-00W*	11-10W*	11.0"	90	100	100.0	5.0
85	All Ford 4-CYL. Gasoline Tractors	12	0	CMP-10017-0	10-10W*	10-00W*	10-00W*	10.0"	90	100	100.0	5.0
85	MF-Imported Condition	12	0	CMA-10034-4F	10"	10"	10"	10"	60	60	60.0	5.0

\* Electrolyte included with battery.

† Not enough for use on Tractor models.

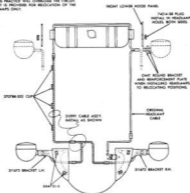


# ACCESSORIES AND SPECIAL ITEMS

## HEADLAMP RELOCATING BRACKET KIT

EXCELLENT FOR OPERATING FRONT MOUNTED CULTIVATORS AND LOADERS AT NIGHT

CAUTION: DO NOT INSTALL YOUR HEADLAMPS AS THE TRACTOR WILL OVERLOAD THE CIRCUIT. THE KIT IS PROVIDED FOR RELOCATION OF THE HEADLAMPS ONLY.

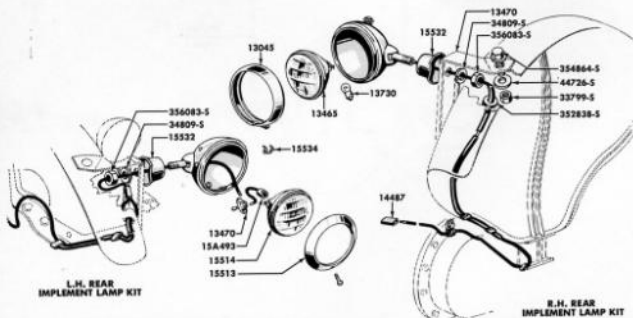
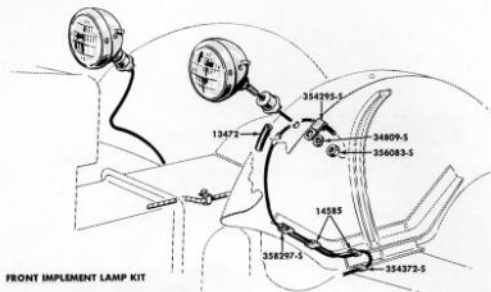


### HEADLAMP RELOCATING BRACKET KIT Ford 4-Cylinder Tractors

Part Number	Description	Quantity	Notes
311818	Kit, Headlamp Relocating Bracket Consists of the following:	1	55/
	Bracket, R. H. & L. H. (K.S. Separately)	1	
34806-836	Washer, 5/16 Lock		
304721-838	Bolt, 5/16 -24 x 1.25 (Metric, to Rr. Hood & Side Panel) Hex Hd.	4	
310991	Cable Assy. - Headlamp	1	
74814-88	Plug, 1/2" (Used to plug head- lamp mig. holes) Button	2	
370788-832	Clip (Cable to Side Panel)	4	

# ACCESSORIES AND SPECIAL ITEMS

## IMPLEMENT LAMP KITS 6000 TRACTORS



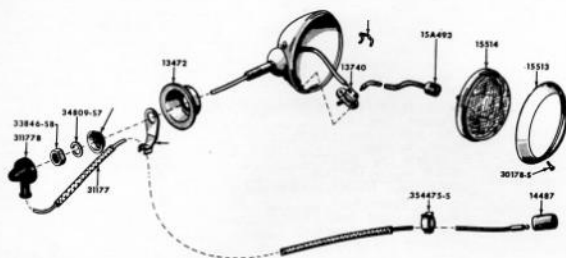
IMPLEMENT LAMP KITS - 6000 TRACTORS

PARTS **TRACTOR** CATALOG

FIG.	PART NUMBER	PART NAME	QTY.	MODEL OR SERIES	YEAR
<b>IMPLEMENT LAMP KITS - 6000 TRACTORS</b>					
	CONN-15A306-A	Kit - Implement Lamp - Front (12 Volt)	1	AR 6000	61/
		Consists of:			
		Lamp Assy. - Implement (12 Volt)	1	N. S. Separately	
		Consists of:			
	ZIC-13740	Switch Assy.	1		
		41554-58 Screw, #8-32 x .38 (Switch to Case)	4		
	C58N-15330-A	Bulb Assy - 12V (Alternate W/FDF-15524-A)	2		
	8N-15513	Door - Lamp	1		
	FDF-15524-A	Bulb - 12 Volt (Alternate W/CONN-15330-A)	2		
	8N-15524	Retainer - Door Lens	2		
	B65N-15A493-A	Wire & Socket Assy. - Lamp	1		
	8N-13472	Bracket - Headlamp	2		
		354295-0100 Clip - Wire	2		
		34809-30 Washer, 1/2" Lock	2		
		33646-58 Nut, 1/2-20 (Lamp & Bracket to Fender) Hex	2		
		Cable Assy. - Impl. Lamp (15, 5')	1		
		Cable Assy. - Impl. Lamp (42')	2		
		375232-0100 Clip - Wire	1		
		358297-020 Clip - Wire	2		
		354271-032 Clip - Wire	6		
	YDR-14454-A	Severe - Wire Protecting	2	8-1/2" Long	
	FDT-14487-B	Connector - Single	2		
	FDT-14487-B	Connector - Double	1		
	CONN-15A308-A	Kit - Implement Lamp - Rear R. H.	1	AR 6000	61/
		Consists of:			
		Lamp Assy. - Impl. Rear, R. H. (Red & White)	1	N. S. Separately	
		Consists of, Lamp part:			
	CONN-13045-A	Dub Assy. (White) 12 Volt	1		
	FDU-12710-A	Bulb Assy. (Red) 12 Volt	1		
	CONN-13045-A	Door Assy. - Implement Lamp	1		
		34803-07 Washer, #8-30 Lock	1		
		21458-5 Screw, #8-32 x 1-1/4 (Door Assy. IF 1. hd.)	1		
	FDN-13470-A	Bracket - Implement Lamp R. H.	1		
		44726-526 Washer, 3/8 Flat	1		
		53799-58 Nut, 3/8-16 Hex	1		
		304650-026 Bolt, 3/8-16 x .75 (Bracket to Fender) Hex Hd.	1		
	8N-15532	Spacer - Lamp Mounting	1		
		34809-30 Washer, 1/2 Lock	1		
		33646-58 Nut, 1/2-20 (Lamp & Spacer to Fender) Hex	1		
		352634-0100 Grommet	1		
	FDN-14454-A	Severe - Wire Protecting	1	8-1/2" Long N. S.	
		354271-032 Clip - Wire	1		
		375232-0100 Clip - Wire	1		
		Cable Assy. - Lamp Extension (15, 5')	1		
	FDT-14487-B	Connector - Double	1		
	CONN-15A310-A	Kit - Implement Lamp - Rear L. H.	1	6000	61/
		Consists of:			
		Lamp Assy. - Implement (See Lamp in CONN-15A306-A above for Comp.)	1	N. S. Separately	
	8N-15532	Spacer - Lamp Mounting	1		
		34809-30 Washer, 1/2" Lock	1		
		33646-58 Nut, 1/2-20 (Lamp & Spacer to Fender) Hex	1		

# ACCESSORIES AND SPECIAL ITEMS

## IMPLEMENT LAMP KITS FORD 4-CYLINDER TRACTORS

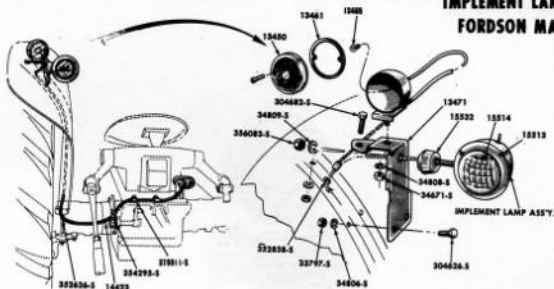


IMPLEMENT LAMP KIT - FORD

FIG.	PART NUMBER	PART NAME	NO. REQ'D	MODEL OR SERIES	YEAR
	311786	Kit, Implement Lamp (12 Volt)	1		58/
	311785	Kit - Implement Lamp (6 Volt)	1		55/
		Consists of the following:			
	21C-13740	Switch Assy.	1		39/7-68
	B5NN-15N550-A	Switch Assy.	1		8-68/
		41554-S8 Screw, #8-32 x .38 (Switch to Case)	2		
	8N-15514	Bulb (6 volt) (Part of Lamp Assy. 311785)	1		39/7-68
	B5NN-15530-A	Bulb (6 Volt) (Part of Lamp Assy. 311785)	1		8-68/
	FDF-15514-A	Bulb (12 Volt) (Part of Lamp Assy. 311786)	1		58/7-68
	B5NN-15530-B	Bulb (12 Volt) (Part of Lamp Assy. 311786)	1		8-68/
	8N-15534	Retainer - Door Lens	3		39/7-68
	8N-15513	Door, Lamp	1		39/7-68
	B5NN-15513-A	Door, Lamp	1		8-68/
	B8NN-15A493-A	Wire & Socket Assy.	1		8-68/
		30178-S13 Screw - #8-32 x 5/8 (Door to Body)	1		39/7-68
	8N-13472	Bracket	1		
	311777	Sleeve	1		
	311778	Boot	1		
	311779	Clamp	1		
	311780	Washer	1		
	34809-87	Lockwasher, 6" Lock	1		
	33846-88	Nut, 1/2 - 10 (Mfg.)	1		
	354475-5	Clip	1		
	FDT-14487-B	Connector	1		
	8N-15532	Spacer (Part of Prior Impl. Lamp Kit)	1		39/57

# ACCESSORIES AND SPECIAL ITEMS

## IMPLEMENT LAMP KITS FORDSON MAJOR



### IMPLEMENT LAMP KIT - FMD

	Kit - Implement Lamp (12 Volt)	1	Fordson Major	52/61
	No Longer Serviced - Order Components			
	Consists of -			
IC-13412-A	Wiring & Socket Assy. - Rear Lamp	1	Lamp w/o White Lens	
8N-13423	Bracket - Rear Lamp	1	Prior Lamp w/White Lens	52/61
	42750-88 Bolt & Lockwasher Assy., 1/4-28 x .90 (Brkt. to Lamp) Hex Hd.	2	Prior Lamp w/White Lens	52/61
	34808-87 Washer, 1/16 Lock			
	34871-834 Nut, 1/16 - 20 Hex			
	355594-88 Bolt, 1/16 - 20 x .88 (Rear Lamp Brkt. to Imp. Lamp Brkt.) Hex Hd.	1		
C8AB-13465-A	Bulb Assy., Single-Contact (12 Volt-3CP)	1		
	Lens - Rear Lamp White N.S.	1	Prior Lamp w/White Lens	52/61
FAA-13447-A	Gasket - Rear Lamp White Lens	1	Prior Lamp w/White Lens	52/61
FDV-13450-A	Lens, Rear Lamp Red	1		
FAD-13461-A	Gasket, Rear Lamp Red Lens	1		
FDV-13471-A	Bracket, Implement Lamp L. H.	1		
	34806-836 Washer, 5/16 Lock	3		
	33797-82 Nut, 5/16 - 18 Hex	3		
	304626-836 Bolt, 5/16-18 x .50 (Brkt. to Fender) Hex Hd.	2		
	304682-836 Bolt, 5/16 - 18 x 1" (Brkt. to Fender) Hex Hd.	1		
	Lamp Assy., Imp. 12 Volt - N.S.	1		
FDF-15514-A	Bulb Assy., Imp. Lamp, 12 Volt	1		
8N-15513	Door, Implement Lamp	1		
8N-15534	Retainer, Implement Lamp Door	3		
8N-15532	Spacer, Implement Lamp Mounting	1		
	34809-87 Washer, 1/2 Lock			
	33846-88 Nut, 1/2 - 20 (Lamp & Spacer to Lamp Brkt.) Hex	1		
FAC-14423-A	Wiring Assy., Rear Lamp Extension	1		
	352838-8100 Grommet, Ext. Wiring thru L. H. Fender	1		
	375911-8100 Clip, Wiring	1		
	352828-82 Clamp, Wiring	1		
	354295-8100 Clip, Wiring	1		

# ACCESSORIES AND SPECIAL ITEMS

## WARNING LAMP KIT



### WARNING LAMP KIT

POL.	PART NO.	PART NAME	NO. REQ.	REMARKS	YEAR
		Kit - Warning Lamp (6 Volt) (No Longer Serviced) Order Component(s)	1	All Tractors	58/
		Consists of the following -			
	231240	Bracket - Warning Lamp	1		
		34803-07 Washer - #10 Lock			
		44713-08 Washer - #10 Flat			
		34079-08 Nut - #10-32 Hex			
		36844 -08 Screw - #10-32 x 5/8" (Bracket to Fender) Rd. Hd.	2		
	1H-13465-A	Bulb - 6 Volt	1		
	FDU-13465-A	Bulb - 12 Volt	1		58/
	231146	Lens - Warning Lamp - Red	1		58/
	231147	Lens - Warning Lamp - Amber	1		
		50012-012 Screw - #8-32 x 1/2" (Lens to Warning Lamp Assy.) Flat Hd.	6		
	231148	Gasket - Warning Lamp Lens	1		
	231149	Flng - Trailer Lamp Disconnect Socket - 2-Pole	1		
	113851	Bracket Assy. - Warning Lamp & Reflector	1	Various Implements	55/

## ACCESSORIES AND SPECIAL ITEMS

## FLASHER KITS

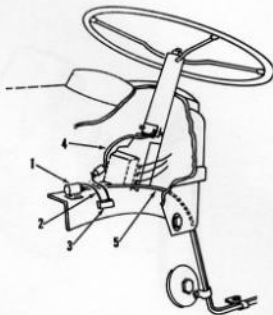
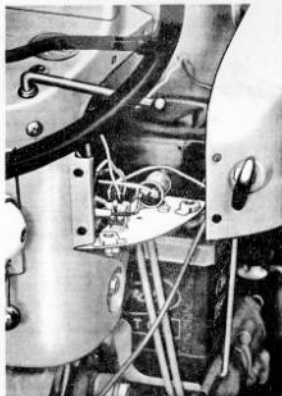
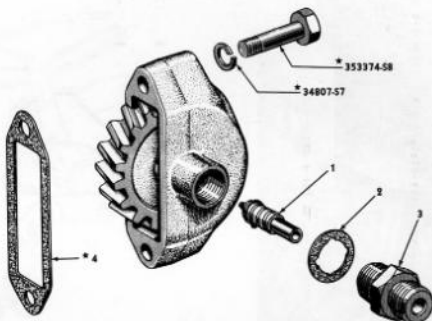


FIG.	PART NO.	PART NAME	NO. REQ.	REMARKS	YEAR
TRACTOR WARNING LAMP FLASHER KIT					
		Kit - Tractor Warning Lamp Flasher (6 Volt)(Not Serv.)	1	Ford 4-Cylinder Gasoline	55/
		Kit - Tractor Warning Lamp Flasher (12 Volt)(Not Serv.)	1	Ford 4-Cylinder Diesel	58/
		Kits must be used with Warning Lamp Assy, CONN-13A486-A. For 12 Volt System change bulb to FDU-13465-A.			
		Consists of -			
1	CONN-13A473-B	Flasher Assy. - (6Volt)	1		
		Flasher Assy. - (12 Volt) N.S.	1		
		34901-58 Lockwasher - #8			
		34064-S Nut - #8-32			
		36651-S13 Screw - #6-32 x 1/2 (Flasher Assy. to Hood Rear Panel) Pan Hd.	2		
2	CONN-13A477-A	Cable Assy. - Flasher Switch to Flasher	1		
3	FDN-11654-A	Switch Assy. - Lighting	1		
		34907-S7 Washer - 3/8 Int. Tooth Lock			
		351001-88 Nut - 3/8-24 (Switch Assy. to Rear Hood Panel Assy.) Hex	1		
4		Cable Assy. - Switch to Junction Block N.S.	1		
	FDV-14526-A	Fuse (10 Amp.) - Part of Cable Assy. CONN-13A476-A	1		
5	CONN-13A474-A	Cable Assy. - Warning Lamp Flasher	1		
	CONN-13A475-A	Cable Assy. - Flasher Cable to Socket Extension	1		
	1H-13465-A	Bulb - Warning Lamp (6 Volt - 32 C. P.)	1		
	FDU-13465-A	Bulb - Warning Lamp (12 Volt - 32 C. P.)	1		

# ACCESSORIES AND SPECIAL ITEMS

## PROOFMETER DRIVE



\* NOT PART OF DRIVE ASSY NCA-12516-A

FIG.	PART NO.	PART NAME	NO. REQ.	REMARKS	YEAR
<b>PROOFMETER DRIVE ASSEMBLY</b>					
	NCA-12516-A	Drive Assembly - Proofmeter Consists of the following -	1	620, 820 (Standard 1963 on)	56/62
		Adapter Assembly - Driven Gear	1		
1	EAF-17375-D	Adapter Assembly - Driven Gear	1		
2	NAA-17382-A	Gasket - Drive Bushing	1		
3	EAF-17381-A	Bushing - Drive Shaft	1		
4	EAF-911-B	Gasket - Hyd. Pump Gear Hg.	1		
		34807-57 Washer - 3/8 Lock			
		353374-88 Bolt - 3/8-16 x 2, 38 (Drive Assy. to Cyl. Block) Hex Hd.	2		
Listed below are the other items required to install a Proofmeter on a 620 or 820 Tractor.					
	C3NN-17360-K	Proofmeter Assy. - Miles	1	W/5 Speed Trans.	
	C3NN-17360-N	Proofmeter Assy. - Miles	1	W/4 Speed Trans.	
	C3NN-17360-J	Proofmeter Assy. - Miles	1	W/10 Speed Trans.	
	FAA-17368-B	Bracket - Proofmeter Mtg.	1		
		34939-97 Washer - #10-32 Int. Lock			
		34079-88 Nut - #10-32 (Bckt. & Proofmeter to Rear Panel) Hex	2		
	B9NN-17365-B	Cable Assy. - Proofmeter	1		
	9N-17668	Clip - Cable to Battery Support	1		

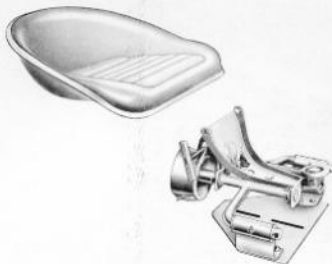


# ACCESSORIES AND SPECIAL ITEMS

## SEATS

### REST-O-RIDE SEAT (LESS PAN) - C3NN-420-C \*

#### CUSHION PAN - C3NN-400-E



- \* Fits all Ford 4 & 6-Cylinder Tractors
- \* Specially designed rubber springs which will all but eliminate vibration.
- \* Seat may be adjusted to fit your own weight.
- \* Sturdily constructed with plated tie bar and leaf spring.
- \* Tilt back design permits operator to stand.

### DELUXE SEAT

#### C3NN-400-C\*

- \* Fits all Ford Tractors except Offset.
- \* Foam rubber cushions.
- \* Wide backrest curved to fit the back.
- \* Tilt back design permits operator to stand.



### DEXTA COMFORT SEAT

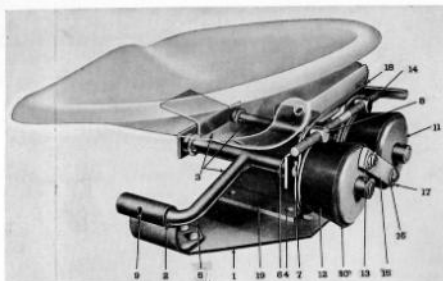
#### 957E-405-C\*



- \* Fits all Ford & Fordson Tractors
- \* Foam rubber cushion and backrest
- \* Tilt back design permits operator to stand.
- \* Low Cost

\* Refer to Ford 4-Cylinder and Dexta Tractor Parts Catalogs for components of above seats.

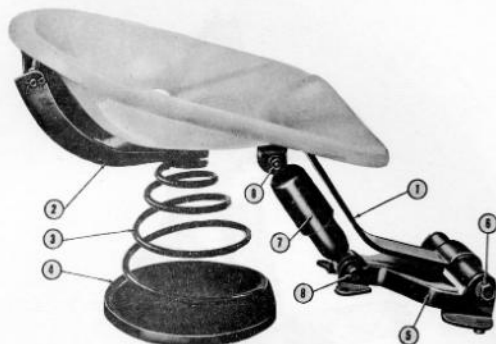
## ACCESSORIES AND SPECIAL ITEMS



REST-O-RIDE TRACTOR SEAT

FIG.	PART NUMBER	PART NAME	NO. REQ'D	MODEL OR SERIES	YEAR
		Rest-O-Ride Tractor Seat Assy. - Less Pan (Not Serviced - Order C3NN-420-C)	1	9N, 2N, 8N, NAA	39/54
		Consists of the following:			
1	CONN-421-A	Base Assy. (Driver's Seat)	1		
2	305191	Bushing (Seat Base)	4		
3		Bracket & Bar (Driver's Seat Mounting) N, S,	1		
	230612	Bushing (Front Tie Bar & Seat Sprg.)	4	(2 ea.)	
4	230638	Bar Assy. (Rear Tie)	1		
		34807-S7 Washer, 3/8" Lock			
		33799-S8 Nut, 3/8" - 16 Hex	2		
8		304650-S36 Bolt, 3/8" - 16 - 3/4" (Rear Tie Bar to Mounting Bracket)	2		
	NDA-408-A	Spring Assy. - Drivers Seat Base	2*		
		* 35140-S8 Screw, 3/8-16 x 1-1/2" Rd. Hd.			
		250234 Nut, 3/8-16 Elastic Stop (Sprg. Assy. to Plate Base)			
	305192	Bushing (Rear Tie Bar)	2		
5	230613	Shaft Assy. (Seat Suspension)	2		
6	230616	Washer, 49/64" L.D. x 1-1/4" O.D. x 14 Ga. Flat (Front & Rear Tie Bar - Spring Bhg.)	6		
7	353647-S	Pin, 1/4" x 1-1/4" (Rear Tie Bar Base Retaining) Roll	2		
9	353647-B	Pin, 1/4" x 1-1/4" (Shaft to Base Assy.) Roll	2		
10	NDA-448-A	Spring & Sleeve Assy., - L. H.	1		
11	NDA-447-A	Spring & Sleeve Assy., R. H.	1		
12	NDA-426-A	Sleeve Assy. (Seat Spring)	2		
	230634	Spacer (to Rear Tie Bar)	2		
13	353647-B	Pin, 1/4" x 1-1/4" (Spring to Shaft) Roll	2		
14	NDA-462-A	Adjuster Assy. (Seat Suspension)	1		
		354547-B Pin, 1/8 x 1" (Adjuster Assy. to Spring) Roll	2		
15	230624	Link Assy. (Stabilizing)	1		
	230626	Bushing (Stabilizing Link)	2		
16	230632	Washer 53/64" x 1" x 1/16" (Stab. Link) Flat	4		
17		72035-S8 Cotter Pin 1/8" x 1"	2		
		356420-S8 Washer	2		
		* NOTE: Used with 8N-400 Seat Assembly			

# ACCESSORIES AND SPECIAL ITEMS



TRACTOR SEAT - LESS SEAT PAN

FIG.	PART NUMBER	PART NAME	NO. REQ'D	MODEL OR SERIES	YEAR
		Tractor Seat - Less Pan (NS -Use C3NN-420-C)	1	9N, 2N, 8N	30/52
		Consists of the following:			
1	230270	Seat Support	1		
2	230277	Adjusting Bracket (Seat Mounting)	1		
3	230279	Spring (Seat)	1		
4	230280	Spring Retainer Assy.	1		
	230283	Pin (Attached by Center Hog. Tractor Bolt)	1		
		34806-S7 Washer, 7/16" Flat	1		
5	230284	Absorber Bracket (Seat Support Pivot)	1		
		304762-S36 Bolt 7/16" - 14 x 1-1/2" (Front of Bracket to Tractor) Hex Hd.	1		
		304703-S36 Bolt, 3/8" - 16 x 1-1/8" (Rear of Bracket to Tractor)	2		
6	230287	Rod (Pivot)	1		
6	230288	Bushing (Pivot Rod to Pivot Bracket)	2		
		34809-S7 Washer, 1/2" Lock	2		
		Washer Special - Flat N. S.	2		
		304708-S36 Bolt 1/2" - 20 x 1-1/8" (Pivot Rod to Pivot Bracket) Hex Hd.	2		
7	231239	Shock Absorber Assy.	1		
		34808-S7 Washer, 7/16" Lock	1		
		34671-S34 Nut, 7/16" - 20 Hex	1		
8	230288	Bushing, Special (Shock Absorber to Absorber Bracket)	1		
		Pin, Mounting (Shock Absorber to Absorber Bracket) N. S.	1		
		34808-S7 Washer, 7/16" Lock	1		
		34671-S34 Nut, 7/16" - 20 Hex	1		
		Pin, Mounting (Shock Absorber to Seat) N. S.	1		
8	230288	Bushing, Mounting (Shock Absorber to Seat)	2		
		Note: Use 9N-400 or 8N-400 Seat Pan			

## ACCESSORIES AND SPECIAL ITEMS

## FRONT BUMPER



FIG.	PART NO.	PART NAME	NO. REQ.	REMARKS	YEAR
	CSNN-17750-B	Bumper - Front	AS	Ford All Purpose & Dexta	39/
	314439-88	Bolt - 5/8-18 x 4 Hex	Bumper		
	351505-88	Washer - 5/8 Flat	to		
	33806-834	Nut - 5/8-18 Hex	Axle	2	
	105236	Detail - Ford Identification	1		



## ACCESSORIES AND SPECIAL ITEMS



Be an All-Weather  
Man with a  
**FORD**  
**HALF CAB!**

## BUY A KIT TO FIT YOUR TRACTOR MODEL

KIT	PART NUMBER	TR. 2K. 5N	RAA, ALL PURPOSE LCC, AND INDUS- TRIAL	EDW CROP	FWD PPW & FSH	DEXTA	H.D. INDUS- TRIAL	4000
HALF CAB	31298	•						
HALF CAB	89NN-940024-B 89NN-940024-C*		•					
HALF CAB	89NN-940024-A			•				
HALF CAB	C26N-940024-A				•			
HALF CAB	CONN-940024-A					•		
HALF CAB	CONN-940024-B							•
HALF CAB	CONN-940024-C						•	
FOLDING TOP	312961	•	•	•		•		
FOLDING TOP	291855				•			
REAR CURTAIN	312962	•	•	•		•		
REAR CURTAIN	291950				•			

\*USED WITH LOADERS



## ACCESSORIES AND SPECIAL ITEMS

## HALF CABS



FIG.	PART NUMBER	PART NAME	NO. REQ'D	MODEL OR SERIES	YEAR
HALF CABS					
	312958	Kit - Half Cab	1	9N, 2N, 8N	39/52
		Consists of:			
	CONN-9420124-D	Door Assy. - R. H.	1	9N, 2N, 8N	39/52
	CONN-9420125-D	Door Assy. - L. H.	1	9N, 2N, 8N	39/52
	231277	Flap Assy. - Engine R. H.	1	9N, 2N, 8N	39/52
	231278	Flap Assy. - Engine L. H.	1	9N, 2N, 8N	39/52
	312964	Panel Assy. - Front	1	9N, 2N, 8N	39/52
	231273	Windshield Assy. - Adjustable	1	9N, 2N, 8N	39/52
	B9NN-9400024-A	Kit - Half Cab	1	700, 900	55/
		Consists of:			
	CONN-9420124-E	Door Assy. - R. H.	1	700, 900	55/
	CONN-9420125-E	Door Assy. - L. H.	1	700, 900	55/
	312967	Flap Assy. - Engine R. H.	1	700, 900	55/
	312968	Flap Assy. - Engine L. H.	1	700, 900	55/
	312963	Panel Assy. - Front	1	700, 900	55/
	231273	Windshield Assy. - Adjustable	1	700, 900	55/
	B9NN-9400024-B	Kit - Half Cab	1	NAA, 600, 800, 2000, 4030	53/
		Consists of:			
	CONN-9420124-D	Door Assy. - R. H.	1	NAA, 600, 800, 2000, 4030	53/
	CONN-9420125-D	Door Assy. - L. H.	1	NAA, 600, 800, 2000, 4030	53/
	312965	Flap Assy. - Engine R. H.	1	NAA, 600, 800, 2000, 4030	53/
	312966	Flap Assy. - Engine L. H.	1	NAA, 600, 800, 2000, 4030	53/
	312963	Panel Assy. - Front	1	NAA, 600, 800, 2000, 4030	53/
	231273	Windshield Assy. - Adjustable	1	NAA, 600, 800, 2000, 4030	53/
	231287	Windshield Assy. - Rigid	1	600, 800	55/57

## ACCESSORIES AND SPECIAL ITEMS

FIG.	PART NUMBER	PART NAME	NO. REQ'D	MODEL OR SERIES	YEAR
		HALF CAB			
	B9NN-9400024-C	Kit, Half Cab (Used W/Ind. Loader)	1	NAA, 600, 800, 2000, 4030	53/
		Consists of:			
	B9NN-9420124-A	Door Assy. - R. H. (w/Ldr. Only)	1	NAA, 600, 800, 2000, 4030	53/
	B9NN-9420125-A	Door Assy. - L. H. (w/Ldr. only)	1	NAA, 600, 800, 2000, 4030	
	312965	Flap Assy. - Engine R. H. (w/Ldr. Only)	1	NAA, 600, 800, 2000, 4030	53/
	312966	Flap Assy. - Engine L. H. (w/Ldr. Only)	1	NAA, 600, 800, 2000, 4030	53/
	B9NN-9400124-A	Panel Assy. - Front (w/Loader only)	1	NAA, 600, 800, 2000, 4030	
	231287	Windshield Assy.	1	NAA, 600, 800, 2000, 4030	
	CONN-9400024-A	Kit - Half Cab	1	Dexta	57/
		Consists of:			
	CONN-9420124-A	Door Assy. - R. H.	1	Dexta	57/
	CONN-9420125-A	Door Assy. - L. H.	1	Dexta	57/
	CONN-9400328-A	Flap Assy. - R. H. Front	1	Dexta	57/
	CONN-9400329-A	Flap Assy. - L. H. Front	1	Dexta	57/
	CONN-9400108-A	Panel Assy. - Front	1	Dexta	57/
	CONN-9403100-A	Windshield Assy.	1	Dexta	57/
	CONN-9400024-B	Kit - Half Cab	1	6000	61/
		Consists of:			
	CONN-9420124-B	Door Assy. - R. H.	1	6000	61/
	CONN-9420125-B	Door Assy. - L. H.	1	6000	61/
	CONN-9400328-B	Flap Assy. - R. H. Front	1	6000	61/
	CONN-9400329-B	Flap Assy. - L. H. Front	1	6000	61/
	CONN-9400108-B	Panel Assy. - Front	1	6000	61/
	CONN-9403100-B	Windshield Assy.	1	6000	61/
	CONN-9400024-C	Kit - Half Cab (W/Loader)	1	H. D. Industrial	59/
		Consists of:			
	CONN-9420124-C	Door Assy. -R. H.	1	H. D. Industrial	59/
	CONN-9420125-C	Door Assy. - L. H.	1	H. D. Industrial	59/
	CONN-9400328-C	Flap Assy. - R. H. Front	1	H. D. Industrial	59/
	CONN-9400329-C	Flap Assy. - L. H. Front	1	H. D. Industrial	59/
	CONN-9400108-C	Panel Assy. - Front	1	H. D. Industrial	59/
	CONN-9403100-A	Windshield Assy.	1	H. D. Industrial	57/
	C2NN-9400024-A	Kit - Half Cab	1	Fordson Major	52/
		Consists of -			
	C2NN-9420124-B	Door Assy. - R. H.	1	Fordson Major	52/
	C2NN-9420125-B	Door Assy. - L. H.	1	Fordson Major	52/
	C2NN-9400328-A	Flap Assy. - R. H. Front	1	Fordson Major	52/
	C2NN-9400329-A	Flap Assy. - L. H. Front	1	Fordson Major	52/
	C2NN-9400108-A	Panel Assy. - Front	1	Fordson Major	52/
	C2NN-9403100-B	Windshield Assy.	1	Fordson Major	52/

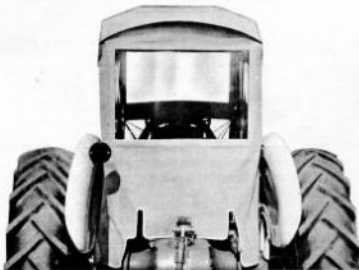
# ACCESSORIES AND SPECIAL ITEMS

## FOLDING TOPS



231055	Kit - Folding Top	1	Fordson Major	52/60
312961	Kit - Folding Top	1	9N, 2N, 8N, NAA, 600, 700, 800, 900, Dextra, 2000, 4030	39/

## REAR DROP CURTAINS



231050	Kit - Rear Curtain	1	Fordson Major	52/60
312962	Kit - Rear Curtain	1	9N, 2N, 8N, NAA, 600, 700, 800, 900, Dextra, 2000, 4030	39/



# ACCESSORIES AND SPECIAL ITEMS

FIG.	PART NUMBER	PART NAME	NO. REQ.	MODEL OR SERIES	YEAR
<b>FORD HYDRAULIC OIL</b>					
<b>FORD HYDRAULIC OIL (S. A. E. 80)</b>					
	1QM-4864-A	Quart (12 Cans to a Case)	AR		
	1GM-4864-A	Gallon (6 Cans to a Case)	AR		
	1CM-4864-A	2 Gallon (3 Cans to a Case)	AR		
	5HM-4864-A	5 Gallon (Hi-Stacker Type)	AR		
	55M-4864-A	55 Gallon Drum	AR		
<b>FORD HYDRAULIC OIL (S. A. E. 90)</b>					
	1QM-4864-B	Quart (12 Cans to a Case)	AR		
	1GM-4864-B	Gallon (6 Cans to a Case)	AR		
	1CM-4864-B	2 Gallon (3 Cans to a Case)	AR		
	5HM-4864-B	5 Gallon (Hi-Stacker Type)	AR		
	55M-4864-B	55 Gallon Drum	AR		
<b>FORD HYDRAULIC OIL</b>					
	1QM-4864-D	Quart (12 Cans to a Case)	AR		
	1GM-2C48-A	Gallon (6 Cans to a Case)	AR		
	1CM-2C48-A	2 Gallon (3 Cans to a Case)	AR		
	5HM-2C48-A	5 Gallon (Hi-Stacker Type)	AR		
	55M-2C48-A	55 Gallon Drum	AR		
<b>FORD HYDRAULIC OIL</b>					
	1QM-2C-41	Quart (12 Cans to a Case)	AR		
	1GM-2C-41	Gallon (6 Cans to a Case)	AR		
	1CM-2C-41	2 Gallon (3 Cans to a Case)	AR		
	5HM-2C-41	5 Gallon (Hi-Stacker Type)	AR		
	55M-2C-41	55 Gallon Drum	AR		
		<b>DIFFERENTIAL AND WET BRAKE LUBRICANT FOR 6000 TRACTOR</b>			
	1CM-2C53-B	2 Gallon (3 Cans to a Case)	AR		

# ACCESSORIES AND SPECIAL ITEMS



**C3NN-17125-A**  
Grease Gun Assy.  
W/Filler Nipple

10,000 lbs. maximum pressure 3 way  
reloading with standard grease cart-  
ridges, Filler Pump or by suction.



**CONN-17A049-A**

**CONN-17125-E**  
Suction Gun Assy.

For servicing Oil Filters, Gear Cases,  
Transmissions, Differentials, 1802  
capacity. Non-drip nozzle.

CONN-17A049-A - Nozzle-Suction Gun



Whip Hose - 1/8" N. P. T. Male Fittings Each End

**B9NN-17A019-A**  
**CONN-17A019-A**  
**CONN-17019-B**

Hose - 12" Flexible  
Hose - 18" Flexible  
Hose - 120" Flexible



**B9NN-17A017-A**  
Holster Clamp

Hold Grease Gun on machine  
always ready when its needed.

# ACCESSORIES AND SPECIAL ITEMS



CONN-17125-A  
Power Luber (With Tank)

Air-Motor operated container holds any original 25-50 lb. refinery package. 10-ft. Hose.



CONN-17125-C  
Power Luber (Less Tank)

High pressure, air operated. Includes Steel Cover which clamps to 25-50 lb. original refinery container in 30 seconds. 6 Ft. High Pressure Hose.

LINCOLN ENGINEERING CO.  
ST. LOUIS, MO.



CONN-17125-B  
Booster Pump (Econo-Luber)

Converts any original 25-50 lb. refinery container to a high pressure bucket pump. Includes primer pump bucket cover, 10 ft. Hose with professional type booster Valve. Can be attached in 60 seconds. Maximum pressure 6000 lbs.

CONN-17A019-B	Hose Assy. 120"	1
B9NN-17A020-A	Coupler Assy.	AR
B9NN-17A023-A	Pipe - Extension	1
87036-894	"O" Ring - Pipe	1



B9NN-17A022-A  
Filler Pump

Loads any grease gun equipped with a Ford Filler Nipple in 30 seconds. Keeps lubricant refinery clean and fits any original 25-50 lb. refinery container. Built for years of trouble-free performance.

# ACCESSORIES AND SPECIAL ITEMS



GREASE GUN ACCESSORY ASSORTMENT

FIG.	PART NO.	PART NAME	NO. REQ.	REMARKS	YEAR
	APN-17135-A	Grease Gun Accessory Assortment Consists of a colorful counter display carton plus the following parts:			
	B9NN-17A020-A	Coupler, Grease Gun	6		
	B9NN-17A023-A	Extension, 6" Pipe	4		
	B9NN-17A019-A	Hose, 12" Flexible	5		
	B9NN-17A016-A	Nipple, Filler	7		
	B9NN-17A013-A	Grease Gun Repair Kit (For Gun B9NN-17125-B) Consists of Gasket, Packing, Jaws, Spring and Ball which are not serviced separately.	AR		
	CONN-17A013-A	Grease Gun Repair Kit (For Gun CONN-17125-D) Consists of Packings, Coupler Jaws, Gskts., Sprgs. & Steel Balls which are N. S. separately.	AR		
	CONN-17A044-A	Grease Gun Repair Kit (For Gun CONN-17125-F) Consists of Packings, Coupler Jaws, Wshr. & Outlet Body Assy. which are NS separately.	AR		
	309597	Lube Fitting Assortment Kit Consists of:	AR		
		87901-S8 Fitting, 1/8-27 x 3/4 Str.	3		
		87907-S8 Fitting, 1/4-28 x 1/2 Str.	3		
		87914-S8 Fitting, 1/8-27 x 29/32, 67-1/20	2		
		87916-S8 Fitting, 1/8-27 x 1/8, 90°	2		

## ACCESSORIES AND SPECIAL ITEMS

## PAINT



FIG.	PART NO.	PART NAME	NO. REQ.	REMARKS	YEAR
PAINTS					
	MJ-438-SE2	Paint (Orange) 1 Qt. Can			
	MJ-956-SE2	Paint (Red) Quart			
	MJ-956-SE3	Paint (Red) Gallon			
	MJ-957-SE2	Paint (Gray) Quart			
	MJ-957-SE3	Paint (Gray) Gallon			
	MJ-1639-SE2	Paint (Blue) 1 Qt. Can			
	MJ-1639-SE3	Paint (Blue) Gallon			
	MJ-1640-SE2	Paint (Industrial Buff) Quart			
	MJ-1640-SE3	Paint (Industrial Bu) Gallon			
	MJ-956-SE4	Spray Type Paint (R-d) 12 oz.			
	MJ-957-SE4	Spray Type Paint (G-y) 12 oz.			
	MJ-1639-SE4	Spray Type Paint (Bl-e) 12 oz.			
	MJ-1640-SE4	Spray Type Paint (Inc. strial Buff) 12 oz.			



## ACCESSORIES AND SPECIAL ITEMS



### PERFECT SEALING COMPOUND

BSA-19554-A      4 oz. Can  
 8A-19554-B      16 oz. Can

Both of the above are excellent products for sealing gaskets, threads and hoses. The perfect sealing compound is available in two sizes. One for the shop or the smaller size for each major job.



### GASKET & THREAD SEALER

M-5398-C      8 oz. Can



(10 cc Bottle)

309758-A Loctite - Grade "A"      309761-HV Loctite - "HV"  
 309759-B Loctite - Grade "B"      309762-75 Ret. Comp.  
 309760-AV Loctite - Grade "AV"      309763-N Loctite Primer

This Sealant is a thin liquid that hardens into a rough plastic band when confined between closely fitting parts and out of contact with air. It has many uses in preventing Bolts, Nuts or Sheaves from loosening.



### MIC-43 SILICONE GREASE (2 oz. Tube)

This light consistency greases is available for use on all transmission input shaft splines. It acts as a deterrent to corrossions and its stable viscosity and consistency assure that a film of lubricant will remain on the Splines during normal operating temperatures.

## ACCESSORIES AND SPECIAL ITEMS

## NUMERICAL INDEX

PART NO.	PAGE NO.	PART NO.	PAGE NO.	PART NO.	PAGE NO.
F15-GA-1	7-8	X703	7-9	3085	1-7
F3-GE-9	7-9	713	7-6	3118	1-8
F7-GE-9	7-9	740	7-4, 6, 7	3132	1-1, 6, 9
F8-GE-9	7-9	741	7-7	3134	1-8, 9
F11-GE-9	7-9	743	7-6, 7	3136	1-6, 9
F15-GE-9	7-9	744	7-6, 7, 11	3195	7-8
F17-GE-9	7-9	745	7-6, 7	3225	7-9
F20-GE-9	7-9	747	7-6, 7	3639	17-5
F22-GE-9	7-9	749	7-6	3640	17-5
F23-GE-9	7-9	750	7-6, 7	3315	2-2
F24-GE-9	7-9	752	7-6, 7	3324	2-2
F26-GE-9	7-9	753	7-6, 7	3A945	2-1, 2
F30-GE-9	7-9	780	7-4, 7	3A946	2-1, 2
F34-GE-9	7-9	782	7-6	3782	2-1
F37-GE-9	7-7	779	7-11	3023	3-2
F105-GE-9	7-7	790	7-11	3087	3-1
F106-GE-9	7-7	803	5-2	3364	3-2
F127-GE-9	7-7	804	5-2	3A369	1-3
F128-GE-9	7-7	805	5-2	3A370	1-3
F137-GE-9	7-7	809	5-2	3A376	1-3
F141-GE-9	7-7	E848	5-8	3083	3-1
F182-GE-9	7-9	C877	5-2	3A940	3-1
F183-GE-9	7-9	D878	5-1	3D947	3-1
F1 TA-9	1-8	D879	5-1	3A582	3-1
F2 TA-9	1-8	D880	5-1	3A583	3-1
F2A TA-9	1-9	D881	5-1	3B572	3-1
F1 LP-9	3-2	D882	5-1	3C631	3-1
F5 LP-9	3-2	D883	5-1	3C632	3-1
F6 LP-9	3-2	D886	5-1	3A691	3-1
F8 LP-9	3-2	911	11-13	3A766	3-1
F11 LP-9	3-2	913	5-1	3A717	3-1
F18 LP-9	3-2	A934	5-2	3C789	3-1
F28 LP-9	3-2	C923	5-2	3C790	3-1
F196 LP-9	3-2	A934	5-8	4221	7-6
F195 LP-9	3-2	A949	5-1	4222	7-6
F195 LP-9	3-2	A951	5-1	4854	17-1
F12 WG-9	1-3	C951	5-8	5183	5-3
F13 WG-9	1-3	952	5-8	NC208	6-1
F14 WG-9	3-2	C955	5-8	5251	6-2
F1C-43	17-6	C956	5-8	5255	6-2
42C-41	17-1	936	17-5	5274	6-3
42C-48	17-1	957	17-5	5A385	6-4
42C-53	17-1	C957	5-8	5B394	6-4
70	12-1	C958	5-8	2334	17-5
105	12-1	8970	5-8	6322	3-2
18	12-2	8894	3-1, 5-8	6351	3-1
107	12-1, 2, 3	1A002	1-1	6714	3-1
11	12-2	1015	1-2	7065	7-8
416	12-2	1017	1-6, 9	7166	7-8
728	17-5	1020	1-1, 6, 9	7202	7-2
447	5-1	1033	1-8	7213	7-9
447	12-2	1036	1-6	7220	7-9
448	12-2	1037	1-8	7227	7-9
412	12-2	1050	1-6, 7	7228	7-9
471	5-1	1056	1-7	7234	7-9
500	5-1	1059	1-7	7365	7-9
528	5-4, 5	1060	1-9	7C373	3-1, 2
513	5-4, 5	1065	1-2	7A511	7-3
567	7-10	1076	1-2, 9	7B511	7-3
569	5-4, 5	1077	1-2, 8	7B512	7-3

## ACCESSORIES AND SPECIAL ITEMS

## NUMERICAL INDEX

PART NO.	PAGE NO.	PART NO.	PAGE NO.	PART NO.	PAGE NO.
7913	7-8	15A308	11-6	115103	7-8
79153	7-3	15A310	11-6	149170	5-7
79522	7-3	15330	11-6, 7	149171	5-7
7959	7-3	15A423	11-6, 7	149173	5-7
7971	7-3	15499	11-6	149174	5-7
7989	7-3	15513	11-6, 7, 8	166920	9-2
8509	3-2	15514	11-6, 7, 8	192844	7-10
8521	7-10	15532	11-6, 7, 8	230012	7-11
8967	3-2	15534	11-6, 7, 8	230014	7-11
8977	3-1	158350	11-7	230015	7-11
8620	3-2	16A901	3-1, 9-2	230016	7-11
9030	9-1	17A013	17-4	230019	7-11
9A123	9-2	17A016	17-4	230020	7-11
9C078	9-1	17A017	17-2	230021	7-11
9C090	9-1	17A019	17-2, 4	230031	7-11
9C099	9-1	17A020	17-4	230032	7-11
9C395	9-1	17A022	17-3	230033	7-11
9F294	9-1	17A023	17-4	230043	5-4
9970	9-2	17A044	17-4	230044	5-4, 5
9985	9-2	17A049	17-2	230070	13-3
9A419	9-2	17663	1-10	230077	13-3
9A436	11-3	17126	17-2, 3	230079	13-3
9A594	9-4	17126	17-4	230080	13-3
9A609	9-3	17360	11-11	230083	13-3
9A883	9-3	17365	11-11	230084	13-3
9A884	9-3	17366	11-11	230087	13-3
9A887	9-3	17375	11-11	230288	13-3
9C773	9-2	17381	11-11	230612	13-2
9C774	9-2	17382	11-11	230613	13-2
9C775	9-2	17666	11-11	230616	13-2
9C776	9-2	17750	1-3, 14-1	230624	13-2
9C778	9-2	19554	17-6	230626	13-2
9825	2-1, 2	23071	2-1, 2	230632	13-2
10654	11-3	22785	2-2	230634	13-2
10655	11-3	53237	6-2	230638	13-2
10687	11-3	53258	9-2	230671	1-2
11664	11-10	79523	7-10	230687	1-1
12405	11-2	102150	5-6	230688	1-1, 3
12536	11-11	102151	5-6	230900	7-11
12945	11-8	102153	5-6	230901	7-11
13412	11-8	102154	5-6	230917	5-4
13423	11-8	102157	5-6	230918	5-4
13447	11-8	102158	5-6	230983	1-1
13495	11-8	102159	5-6	230999	1-4
13491	11-8	113851	11-9	231050	14-2, 5
13485	11-8, 9, 10	113713	7-11	231055	14-2, 5
13476	11-8	115809	7-6	231060	11-9
13471	11-8	115820	7-4, 8	231066	7-10
13472	11-8, 7	115821	7-6	231078	5-5
13A472	11-10	115860	7-6	231081	1-4
13A474	11-10	115865	7-6	231082	7-6, 10
13A475	11-10	115866	7-6	231146	11-9
13A477	11-10	115868	7-6	231147	11-9
13730	11-6	115869	7-6	231148	11-9
13740	11-8, 7	115880	7-6	231149	11-9
14423	11-8	115890	7-6	231156	1-10
14454	11-6	115891	7-6	231158	1-10
14487	11-6, 7	115893	7-6	231239	13-3
14526	11-10	115894	7-6	231253	5-4
15A306	11-6	115895	7-6	231254	5-4



## ACCESSORIES AND SPECIAL ITEMS

## NUMERICAL INDEX

PART NO.	PAGE NO.	PART NO.	PAGE NO.	PART NO.	PAGE NO.
231265	7-4, 6	310046	3-1	312622	2-1, 2
231266	7-6	310065	3-1	312646	1-5
231272	7-4, 6	310799	3-1	312670	3-1
231273	14-3	310896	3-1	312671	3-1
231277	14-3	310991	11-4	312674	2-1
231278	14-3	311041	6-3	312686	2-1, 2
231287	14-3, 4	311042	6-3	312932	1-9
231302	1-1	311044	6-2, 3	312956	14-2, 3
231368	7-6	311048	6-3	312961	14-2, 5
231369	7-6	311049	6-3	312962	14-2, 5
231374	7-6	311060	6-3	312963	14-3
250234	13-2	311066	3-1	312964	14-3
305191	13-2	311113	5-6	312965	14-2, 4
305192	13-2	311466	6-2	312966	14-2, 4
306526	3-1	311467	6-3	312967	14-2
306530	7-6	311616	11-4	312968	14-3
306550	1-10	311777	11-7	313017	6-2
306571	1-5	311778	11-7	313674	3-1
306591	3-1	311779	11-7	313606	6-2
306597	17-4	311780	11-7	313609	6-2
306758	17-4	311785	11-7	994670	7-9
306759	17-4	311786	11-7	994649	7-9
306760	17-4	311920	5-2	994664	7-9
306761	17-4	311932	6-2	9400024	14-2, 3, 4
306762	17-4	311933	6-2	9400106	14-4
306763	17-4	312399	1-10	9400124	14-2, 4
310025	3-1	312523	5-5	9400328	14-4
310034	3-1	312565	1-5	9400329	14-4
310035	3-1	312617	2-1, 2	9403100	14-4
310038	3-1	312620	2-1, 2	9420124	14-2, 4
310045	3-1	312621	2-1, 2	9420125	14-2, 4